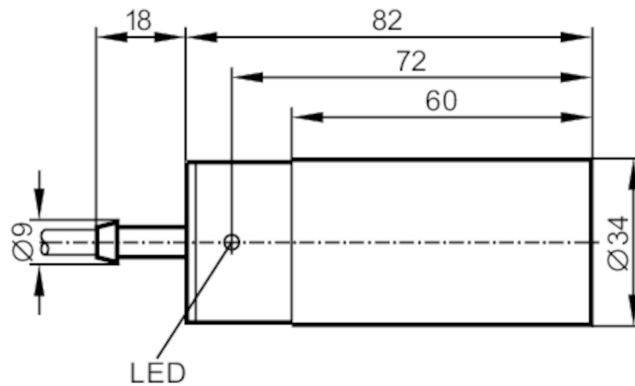


IB5070



Inductive sensor

IB-3020-APKG/10M



Product characteristics

Electrical design		PNP
Output function		normally closed
Sensing range	[mm]	20
Housing		cylindrical
Dimensions	[mm]	Ø 34 / L = 82

Electrical data

Operating voltage	[V]	10...36 DC
Current consumption	[mA]	15; (24 V)
Protection class		II
Reverse polarity protection		yes

Outputs

Electrical design		PNP
Output function		normally closed
Max. voltage drop switching output DC	[V]	2.5
Permanent current rating of switching output DC	[mA]	250
Switching frequency DC	[Hz]	60
Short-circuit protection		yes
Type of short-circuit protection		pulsed
Overload protection		yes

Detection zone

Sensing range	[mm]	20
Real sensing range Sr	[mm]	20 ± 10 %
Operating distance	[mm]	0...16.2

IB5070

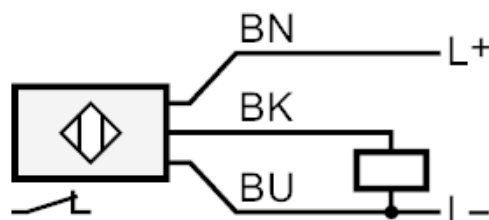


Inductive sensor

IB-3020-APKG/10M

Accuracy / deviations		
Correction factor		steel: 1 / stainless steel: 0.7 / brass: 0.4 / aluminium: 0.3 / copper: 0.2
Hysteresis	[% of Sr]	1...15
Switch point drift	[% of Sr]	-10...10
Operating conditions		
Ambient temperature	[°C]	-25...80
Protection		IP 67
Tests / approvals		
EMC		EN 60947-5-2
MTTF	[years]	1844
Mechanical data		
Weight	[g]	609
Housing		cylindrical
Mounting		non-flush mountable
Dimensions	[mm]	Ø 34 / L = 82
Materials		PBT
Displays / operating elements		
Display	switching status	1 x LED, yellow
Accessories		
Accessories (supplied)		Mounting clamps: 1
Remarks		
Pack quantity		1 pcs.
Electrical connection		
Cable: 10 m, PVC; 3 x 0.5 mm ²		

Connection



Core colours :

- BN = brown
- BU = blue
- BK = black