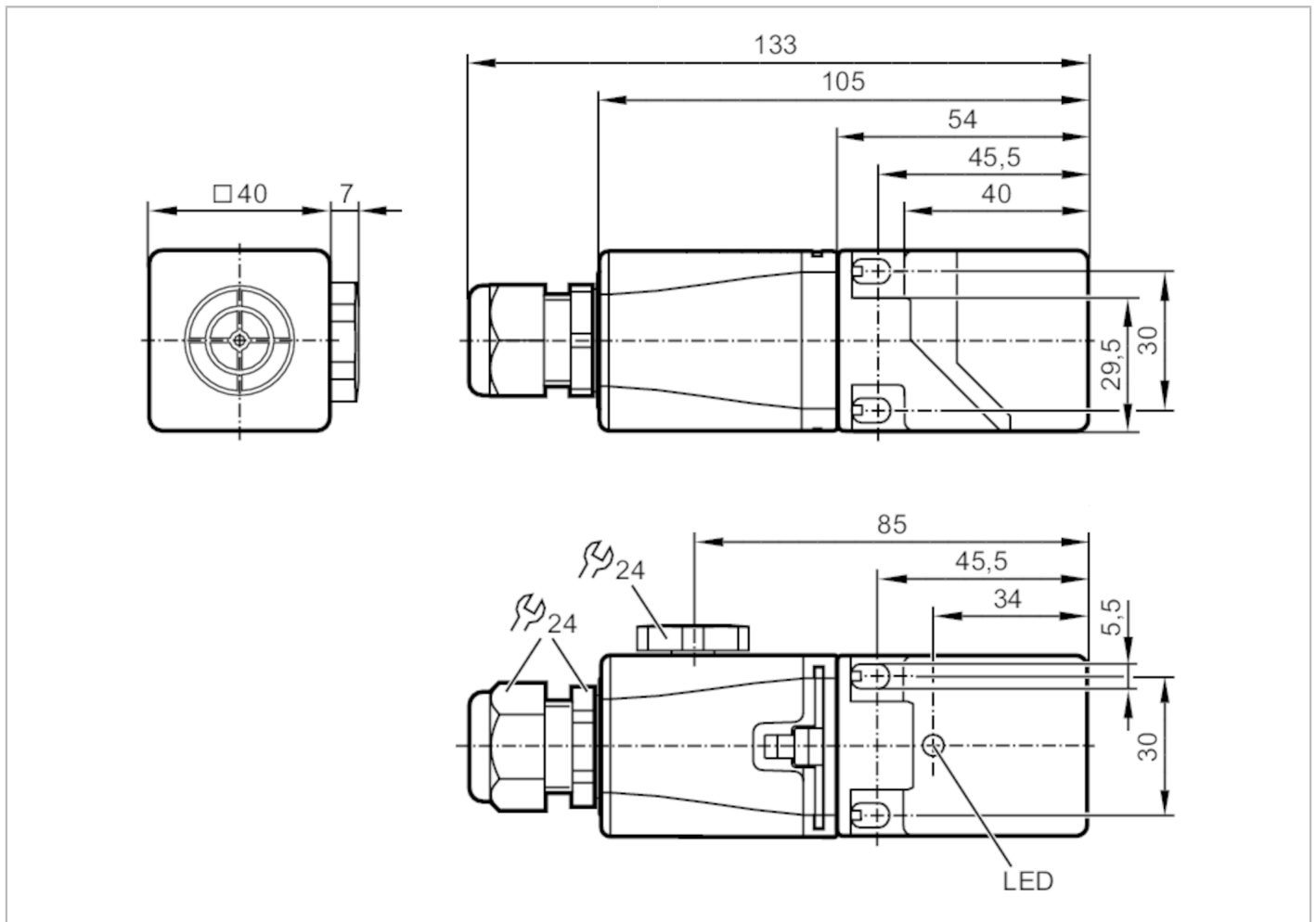


IM002A



Inductive sensor

IME2040-FBOA/3D



Product characteristics

Output function		normally open / normally closed; (selectable)
Sensing range	[mm]	40
Housing		rectangular
Dimensions	[mm]	40 x 40 x 105

Electrical data


Operating voltage	[V]	20...250 AC/DC
Protection class		II
Reverse polarity protection		no

IM002A



Inductive sensor

IME2040-FBOA/3D

Outputs		
Output function	normally open / normally closed; (selectable)	
Max. voltage drop switching output DC [V]	6	
Max. voltage drop switching output AC [V]	6.5	
Minimum load current [mA]	5	
Max. leakage current [mA]	2.5 (250 V AC) / 1.3 (130 V AC) / 0.8 (24 V DC)	
Permanent current rating of switching output AC [mA]	150	
Permanent current rating of switching output DC [mA]	100	
Short-time current rating of switching output [mA]	2200; (20 ms / 0,5 Hz)	
Switching frequency AC [Hz]	10	
Switching frequency DC [Hz]	10	
Notes on switching frequency	only for resistive loads; 2 Hz for utilisation category AC-140	
Short-circuit proof	no	
Overload protection	no	
Detection zone		
Sensing range [mm]	40	
Real sensing range Sr [mm]	40 ± 10 %	
Operating distance [mm]	0...32.4	
Accuracy / deviations		
Correction factor	steel: 1 / stainless steel: 0.7 / brass: 0.4 / aluminium: 0.3 / copper: 0.2	
Hysteresis [% of Sr]	1...20	
Switch point drift [% of Sr]	-10...10	
Operating conditions		
Ambient temperature [°C]	-20...60	
Protection	IP 65; IP 67	
Tests / approvals		
ATEX marking	 II 3D Ex tc IIIC T95°C Dc X	
EMC	EN 60947-5-2	
MTTF [years]	554	
Mechanical data		
Weight [g]	253	
Housing	rectangular	
Mounting	non-flush mountable	
Dimensions [mm]	40 x 40 x 105	
Materials	PC; PA; stainless steel	
Displays / operating elements		
Display	switching status	1 x LED, yellow
Electrical connection		
Required protection	miniature fuse to IEC60127-2 sheet 1; ≤ 2 A; fast acting; Place the fuse outside the hazardous area.	

IM002A



Inductive sensor

IME2040-FBOA/3D

Remarks	
Remarks	Recommendation: Check the safe functioning of the unit after a short circuit. 5 positions of the active zone possible
Pack quantity	1 pcs.

Electrical connection

terminals: 0.34...2.5 mm²; Cable sheath: Ø 5...9 mm

Connection

