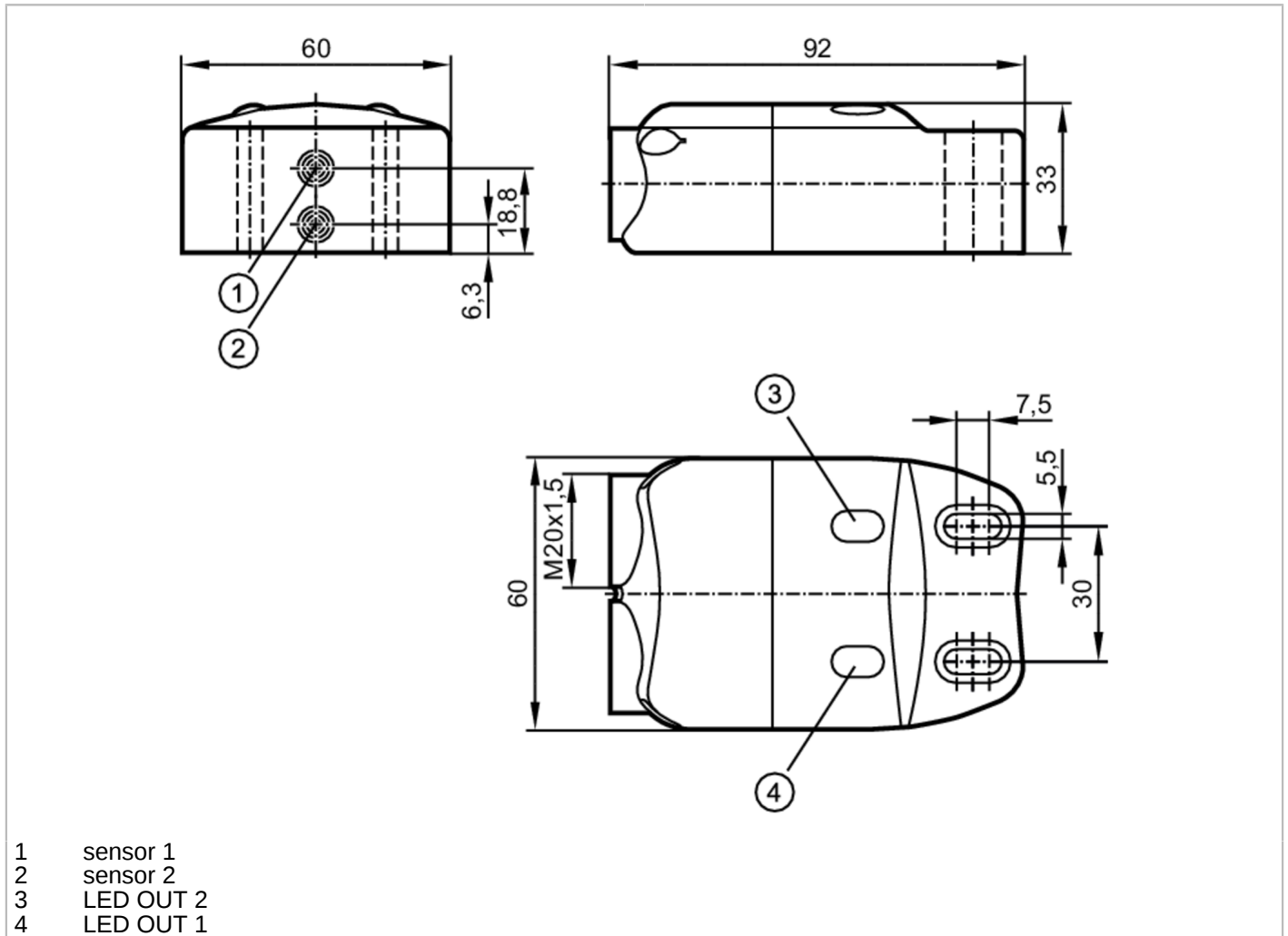


NN504A



Inductive sensor

INE2004DN/1D/1G/2G



Product characteristics

| | |
|--------------------|---------------------|
| Electrical design | NAMUR |
| Output function | 2 x normally closed |
| Sensing range [mm] | 4 |
| Housing | rectangular |
| Dimensions [mm] | 33 x 60 x 92 |

Electrical data

| | |
|------------------------------------|--|
| Connection to switching amplifiers | yes |
| Switching amplifiers | connection to certified intrinsically safe circuits with the max. values: U = 15 V / I = 50 mA / P = 120 mW |
| Operating voltage [V] | 8.2 DC; (1kΩ) |
| Supply voltage DC [V] | 7.5...15; (when used outside the hazardous area) |
| Current consumption [mA] | < 1; (disabled; conductive: > 2,1) |
| Protection class | III |
| Actuator wiring | connection to certified intrinsically safe circuits of solenoid valves with the max. values: U = 28 V / I = 250 mA / P = 750 mW (bis 40 °C) / P = 650 mW (bis 70 |

NN504A



Inductive sensor

INE2004DN/1D/1G/2G

°C); (When used in gas atmospheres (group II) the following maximum values are permitted: U = 28 V / P = 1,1 W; These values must not be exceeded.)

| Outputs | |
|--------------------------------|--|
| Electrical design | NAMUR |
| Output function | 2 x normally closed |
| Switching frequency DC [Hz] | 500 |
| Overload protection | yes |
| Detection zone | |
| Sensing range [mm] | 4 |
| Real sensing range Sr [mm] | 4 ± 10 % |
| Operating distance [mm] | 0...3.25 |
| Accuracy / deviations | |
| Correction factor | steel: 1 / stainless steel: 0.7 / brass: 0.5 / aluminium: 0.4 / copper: 0.3 |
| Hysteresis [% of Sr] | 1...15 |
| Switch point drift [% of Sr] | -10...10 |
| Operating conditions | |
| Ambient temperature [°C] | -25...70 |
| Protection | IP 65; IP 67 |
| Tests / approvals | |
| Approval | BVS 14 ATEX E 005 X; IECEx BVS 14.0005X |
| ATEX marking | <div style="display: flex; align-items: center; gap: 10px;"> ⊕ II 1G Ex ia IIB T4 Ga Ta: -25...70 °C </div> <div style="display: flex; align-items: center; gap: 10px;"> ⊕ II 2G Ex ia IIC T4 Gb Ta: -25...70 °C </div> <div style="display: flex; align-items: center; gap: 10px;"> ⊕ II 1D Ex ia IIIB T135 °C Da Ta: -25...70 °C </div> |
| EMC | EN 60947-5-6 |
| Vibration resistance | 10...55 Hz (1 mm) |
| Shock resistance | 30 g (11 ms) |
| MTTF [years] | 1257 |
| Safety classification | |
| Max. internal capacitance [nF] | 60; (per intrinsically safe circuit) |
| Max. internal inductance [μH] | 130; (per intrinsically safe circuit) |
| Mechanical data | |
| Weight [g] | 183 |
| Housing | rectangular |
| Mounting | non-flush mountable |
| Dimensions [mm] | 33 x 60 x 92 |
| Materials | housing: PA |
| Displays / operating elements | |
| Display | switching status |
| | 2 x LED, yellow |
| Accessories | |
| Accessories (supplied) | socket head screws: 2 x M5 x 16 |
| | socket head screws: 2 x M3 x 25 |

NN504A



Inductive sensor

INE2004DN/1D/1G/2G

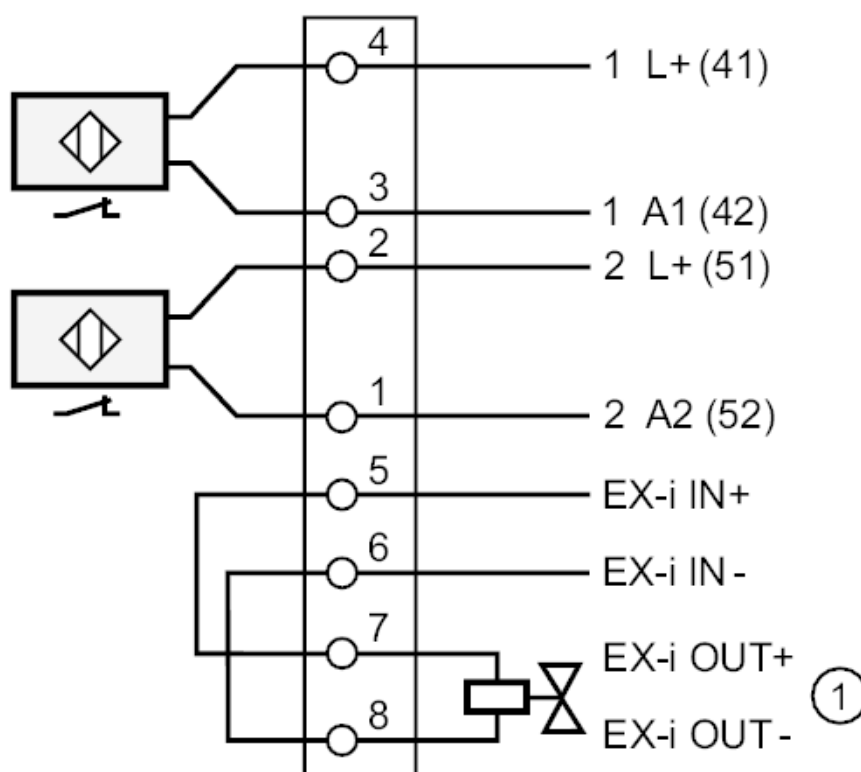
Remarks

| | |
|---------------|--|
| Remarks | The unit is not approved for safety-related tasks in the field of operator protection. |
| Pack quantity | 1 pcs. |

Electrical connection

terminal strip in the terminal chamber: ...2.5 mm²; Cable gland: M20 X 1.5

Connection



1 output solenoid valve