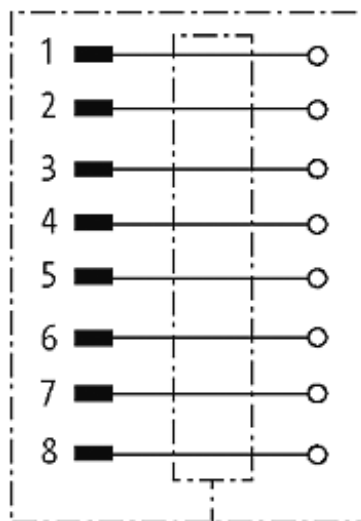


M12 MALE 0° SHIELDED WIREABLE SCREW TERM.8-pol. max.0.5mm² 6-8mm

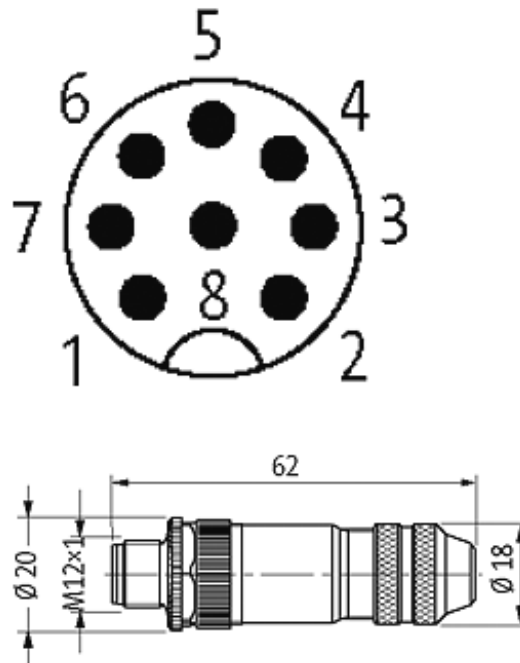
Male straight

8-pole, shielded

Clamping range cable entry: 6...8 mm

[Link to Product](#)**Illustration**

Male



Product may differ from Image

Approvals



Form

17341

Technical Data

Operating voltage	max. 60 V AC/DC
Operating current per contact	max. 2 A
Connection cross section	max. 0.5 mm ²
Sealing range (cable diameter)	6...8 mm
Protection	IP65 and IP67 when plugged and screwed down (EN 60529)
Housing	CuZn, nickel plated

General data

Temperature range	-25...+85 °C
-------------------	--------------

Commercial data

country of origin	DE
customs tariff number	85369010
minimum order quantity	1