



Figure similar

SIRIUS MOTOR STARTER M200D
 COMMUNICATIONS MODULE PROFINET I/O
 REMOVABLE BUS INTERFACE 2 X M12 WITH
 LOOPING POWER CONNECTION 24V 2 X 7/8" WITH
 LOOPING USING A TECHNOLOGY MODULE
 3RK1395* USABLE AS MOTOR STARTER M200D
 WITH COMM.

General technical data:		
product brand name		SIRIUS
Product designation		communication module M200D for PROFINET
Design of the product		communication module
Product function Bus communication		Yes
Surge voltage resistance Rated value	V	800
Insulation voltage Rated value	V	30
Active power loss typical	W	1
Equipment marking acc. to DIN EN 61346-2		Q
Mounting type		screw fixing
Width	mm	174
Height	mm	139
Depth	mm	32

Control circuit/ Control:		
Type of voltage of the control supply voltage		DC
Control supply voltage 1		
• for DC Rated value	V	24

Supply voltage:		
Type of voltage of the supply voltage		DC
Supply voltage		
• for DC Rated value	V	24
• for DC Rated value minimum permissible	V	20.4
• for DC Rated value maximum permissible	V	28.8

Ambient conditions:

Protection class IP		IP65
Ambient temperature		
• during storage	°C	-40 ... +70
• during operation	°C	-25 ... +55
• during transport	°C	-40 ... +70
Relative humidity during operation	%	10 ... 95
Vibration resistance		7 mm / 2g
Shock resistance		12g / 11 ms
Degree of pollution		3
Installation altitude at height above sea level maximum	m	2 000
mounting position		vertical, horizontal, flat
mounting position recommended		horizontal

Communication/ Protocol:

Design of the interface AS-interface protocol		No
Protocol is supported AS-interface protocol		No
Design of the interface PROFIBUS DP protocol		No
Protocol is supported PROFIBUS DP protocol		No
Product function		
• Control circuit interface with IO link		No
• Control circuit interface to parallel wiring		No
Protocol is supported PROFINET protocol		Yes
Type of electrical connection of the communication interface		M12 socket

Connections/ Terminals:

Type of electrical connection		
• for communication transmission		M12 socket
• for auxiliary and control current circuit		connector

Electromagnetic compatibility:

EMI immunity acc. to IEC 60947-1		corresponds to degree of severity 3, ambience A (industrial sector)
Conducted interference due to burst acc. to IEC 61000-4-4		2 kV network connection / 1 kV control connection
Conducted interference due to conductor-earth surge acc. to IEC 61000-4-5		2 kV
Conducted interference due to conductor-conductor surge acc. to IEC 61000-4-5		1 kV
EMC emitted interference acc. to IEC 60947-1		CISPR11, ambience A (industrial sector)
Certificate of suitability		CE

Certificates/ approvals:

General Product Approval	Declaration of Conformity	Test Certificates
--------------------------	---------------------------	-------------------



[Type Test Certificates/Test Report](#)

other

[Environmental Confirmations](#)



Profibus

Further information

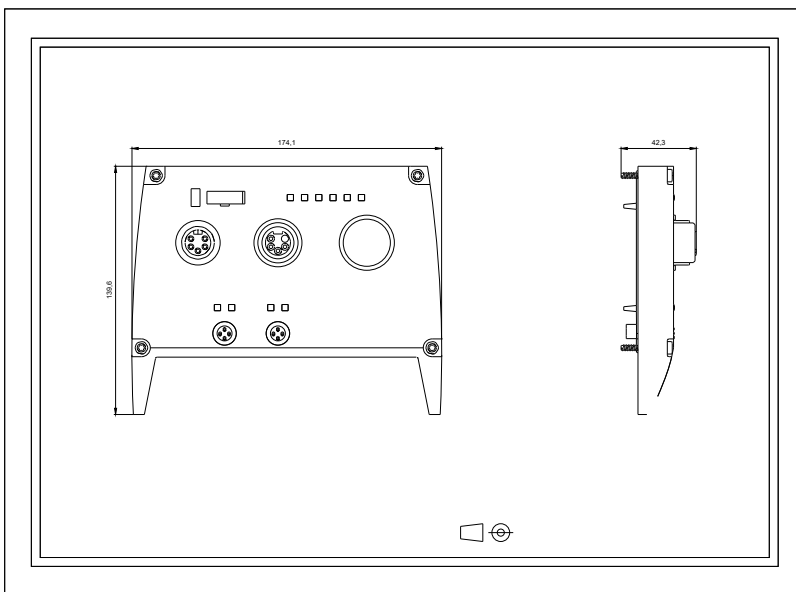
Information- and Downloadcenter (Catalogs, Brochures,...)
<http://www.siemens.com/industrial-controls/catalogs>

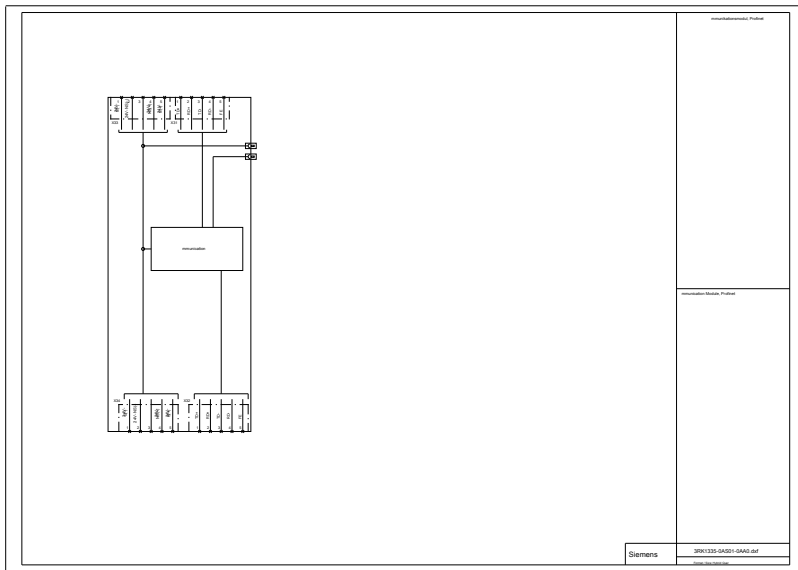
Industry Mall (Online ordering system)
<http://www.siemens.com/industrymall>

Cax online generator
<http://support.automation.siemens.com/WW/CAXorder/default.aspx?lang=en&mlfb=3RK13350AS010AA0>

Service&Support (Manuals, Certificates, Characteristics, FAQs,...)
<http://support.automation.siemens.com/WW/view/en/3RK13350AS010AA0/all>

Image database (product images, 2D dimension drawings, 3D models, device circuit diagrams, EPLAN macros, ...)
<http://www.automation.siemens.com/bilddb/index.aspx?attID9=3RK13350AS010AA0&lang=en>





last modified:

09.03.2015