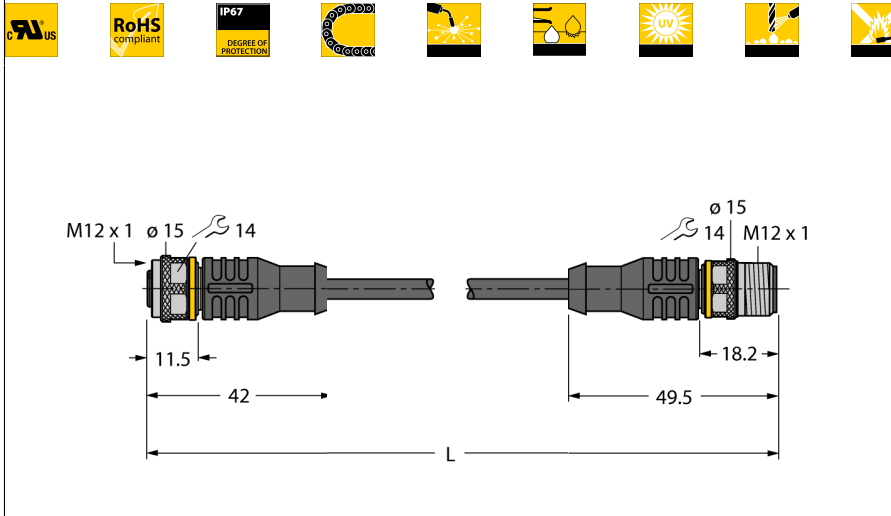


**Actuator/Sensor cable, PUR extension cable**  
**RKC4.5T-2-RSC4.5T/TXG**



- Female M12, straight, 5-pin
- Male M12, straight, 5-pin
- Sheath material: PUR
- Sheath color: grey
- Qualified for drag chain use
- Resistant to weld splatter
- Resistant to chemicals, UV radiation and oils
- Flame retardant
- Free from halogen, silicone, PVC and LABS
- Particularly resistant to abrasion
- Approval: cULus
- RoHS conform
- Protection class IP67
- Cable length: 2.0 m

**Type designation** RKC4.5T-2-RSC4.5T/TXG  
**Ident no.** 6629426

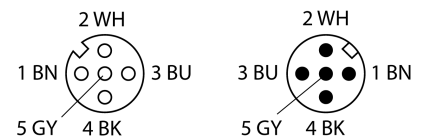
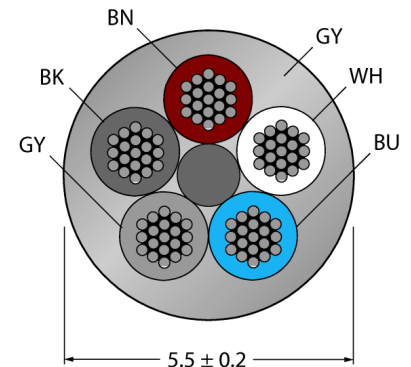
**Connector A side** Female connector, M12 ♂ 1, Straight  
 Number of pins 5  
 Contacts Brass, CuZn, Gold-plated  
 Contact carriers Plastic, TPU, Black  
 Grip Plastic, TPU, Black  
 Coupling nut/screw Brass, CuZn, Nickel-plated  
 Seal Plastic, FPM/FKM  
 Protection class IP67, A + B side screwed together  
 Mechanical lifespan > 100 Mating cycles  
 Pollution degree 3  
 Tightening torque 0.8 ... 1 Nm  
 (observe max. torque of counter piece!)

**Connector B side** Connector, M12 x 1, Straight  
 Number of pins 5 pins  
 Contacts brass, CuZn, Gold-plated  
 Contact carriers Plastic, TPU, Black  
 Grip plastic, TPU, black  
 Coupling nut/screw Brass, CuZn, Nickel-plated  
 Protection class IP67, only in screwed state  
 Mechanical lifespan > 100 Mating cycles  
 Pollution degree 3  
 Tightening torque 0.8 ... 1 Nm  
 (observe max. torque of counter piece!)

**General data**  
 Cable diameter 5.5 ± 0.20mm  
 Cable length 2 m  
 Cable quality PUR  
 Cable color Gray  
 Core insulation PP  
 Core colors BN, WH, BU, BK, GY  
 Core cross-section 5x0.34mm<sup>2</sup>  
 Arrangement of strands 42x0.1 mm

**Electrical features at +20 °C**  
 Current 4 A  
 Rated voltage 60 V  
 Insulation resistance > 30.5 MΩ/km  
 Test voltage 2000 V  
 Forward resistance max. 57 Ω/km

**Cable Cross-section**



**General information**

Drawing depicts design version including hexagon coupling nut  
 (Production date after CW11/2016).

**Circuit Diagram**



**Actuator/Sensor cable, PUR  
extension cable  
RKC4.5T-2-RSC4.5T/TXG**

**TURCK**

Industrial  
Automation

---

**Mechanical and chemical properties**


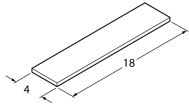
|                                    |                              |
|------------------------------------|------------------------------|
| Max. tensile strength (static)     | ≤ 50 N/mm <sup>2</sup>       |
| Max. tensile strength (dynamic)    | ≤ 20 N/mm <sup>2</sup>       |
| Bending cycles                     | > 5 mil.                     |
| Bending radius (stationary laying) | > 5 x Ø                      |
| Bending radius (flexible use)      | > 10 x Ø                     |
| Admissible acceleration            | max. 5 m/s <sup>2</sup>      |
| Admissible travel path, horizontal | 5 m (at 5 m/s <sup>2</sup> ) |
| Admissible travel path, vertical   | 2 m (at 5 m/s <sup>2</sup> ) |
| Admissible traversing speed        | 3.3 m/s                      |
| Torsional stress                   | ± 180 °/m                    |
| Ambient temperature                |                              |
| Stationary                         | -50...+80°C                  |
| In motion                          | -25...+80°C                  |
| Drag chain operation               | -25...+60°C                  |

**Actuator/Sensor cable, PUR  
extension cable  
RKC4.5T-2-RSC4.5T/TXG**

**TURCK**

Industrial  
Automation

**Accessories**

| Type code                         | Ident no. | Description   |   |
|-----------------------------------|-----------|---|---|
| Torque-Wrench-Set-AS              | 6936170   | Torque wrench set; handles with adjustable torque 0.4-1.0 Nm, torque wrench for M8 (SW9), fork wrench for M12 (SW 14)                   |  |
| BLANK-LABEL-FOR-CORDESETS-TEL-TXL | 6936206   | Label for TEL and TXL cables, length: 18 mm, height: 4 mm, material: polycarbonate (PC), color: white, halogen-free and flame-retardant |  |