

# SERIES 503SI

FUSED TERMINAL BLOCKS FOR 20mm x 5mm FUSES

10 AMP

1-5 POLE

## TECHNICAL DATA

Mouldings: nylon 6/6, grey  
(fuseholder black)

Inserts, Tinned brass

Fuse contacts: Stainless steel

Screws: M3 x 6, steel,  
zinc plated,  
yellow chromated

Wire protectors: stainless steel

Max. working temperature:  
100°C

Min. working temperature:  
- 40°C

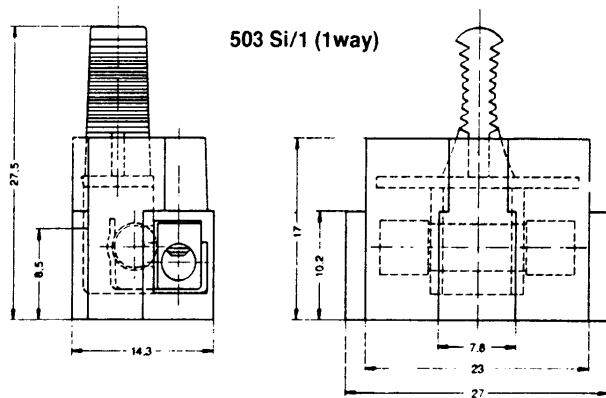
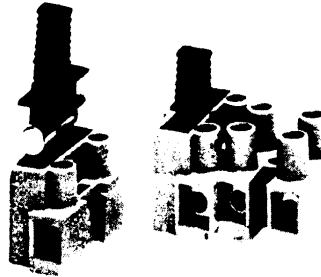
Voltage rating:  
Fuseholders 250V  
Terminal Blocks 380V

Current rating: 10 A

Conductor capacity:  
Without wire protectors:  
up to 6mm<sup>2</sup>

With wire protectors:  
up to 2.5mm<sup>2</sup>

Earth screws: M3



## INTERNATIONAL APPROVALS



VDE TEST REPORT

EXCLUDES  
'E'  
TYPES

## OPTIONS

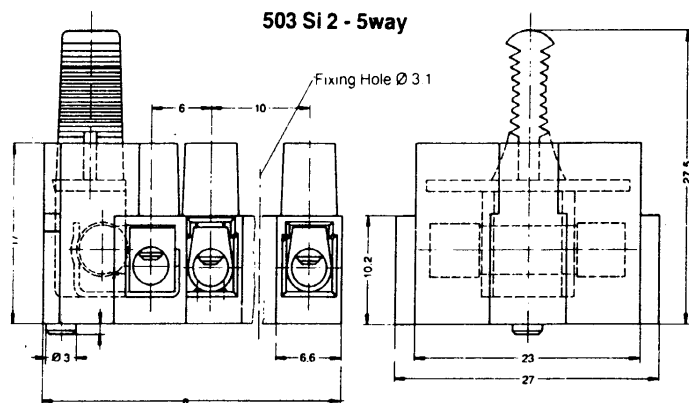
Marking: special printing  
available - please  
provide sketch

Covers: Series ABK503 -  
See page

Marking Labels: with or without  
marking -  
please provide  
sketch

Wire protectors: available with  
or without

Spare fuseholders  
Earth screws M3 x 12 Posi  
Tooth washers M3



UNEARTHED TYPE		EARTHED TYPE		No. of poles	length 'a'
WITHOUT WIRE PROTECTORS	WITH WIRE PROTECTORS	WITHOUT WIRE PROTECTORS	WITH WIRE PROTECTORS		
503SI01	503SI01DS	-	-	1	14.3
503SI02	503SI02DS	-	-	2	20
503SI03	503SI03DS	503SI03E	503SI03EDS	3	30
503SI04	503SI04DS	503SI04E	503SI04EDS	4	40
503SI05	503SI05DS	503SI05E	503SI05EDS	5	50