



AMP | MQS

TE Internal #: 1-1579018-4

MQS, Insertion & Extraction Tools, Contact Extraction, Contact-to-Wire

[View on TE.com >](#)

Application Tooling > Insertion & Extraction Tools



Insertion & Extraction Tool Type: **Contact Extraction**

Insertion & Extraction Tool Application: **Contact-to-Wire**

Features

Product Type Features

Insertion & Extraction Tool Type	Contact Extraction
Insertion & Extraction Tool Application	Contact-to-Wire

Product Compliance

[For compliance documentation, visit the product page on TE.com>](#)

EU RoHS Directive 2011/65/EU	Not Compliant
EU ELV Directive 2000/53/EC	Out of Scope
China RoHS 2 Directive MIIT Order No 32, 2016	Restricted Materials Above Threshold
EU REACH Regulation (EC) No. 1907/2006	Current ECHA Candidate List: JAN 2021 (211) Candidate List Declared Against: JUN 2020 (209) SVHC > Threshold: Pb (3% in Component Part) Article Safe Usage Statements: Do not eat, drink or smoke when using this product. Wash thoroughly after handling. Recycle if possible and dispose of the article by following all applicable governmental regulations relevant to your geographic location.
Halogen Content	Low Halogen - Br, Cl, F, I < 900 ppm per homogenous material. Also BFR/CFR/PVC Free
Solder Process Capability	Not applicable for solder process capability

Product Compliance Disclaimer

This information is provided based on reasonable inquiry of our suppliers and represents our current actual knowledge based on the information they provided. This information is subject to change. The part numbers that TE has identified as EU RoHS compliant have a maximum concentration of 0.1% by weight in homogenous materials for lead, hexavalent chromium, mercury, PBB, PBDE, DBP, BBP, DEHP, DIBP, and 0.01% for cadmium, or qualify for an exemption to these limits as defined in the Annexes of Directive 2011/65/EU (RoHS2). Finished electrical and electronic equipment products

will be CE marked as required by Directive 2011/65/EU. Components may not be CE marked. Additionally, the part numbers that TE has identified as EU ELV compliant have a maximum concentration of 0.1% by weight in homogenous materials for lead, hexavalent chromium, and mercury, and 0.01% for cadmium, or qualify for an exemption to these limits as defined in the Annexes of Directive 2000/53/EC (ELV). Regarding the REACH Regulation, the information TE provides on SVHC in articles for this part number is based on the latest European Chemicals Agency (ECHA) 'Guidance on requirements for substances in articles' posted at this URL: <https://echa.europa.eu/guidance-documents/guidance-on-reach>

Compatible Parts



TE Part # 2208277-3
60POS MQS REC SEALED



TE Part # CAT-M8793-T273
MQS, RECEPTACLE AND TAB



TE Part # 2209544-9
60P, PLUG ASSY, NORMAL CODING



TE Part # 2209545-1
94P, MQS CB, REC HSG, ASSY, SEALED



TE Part # 2209544-1
60P, MQS CB, REC HSG, ASSY, SEALED



TE Part # 1241609-6
SOCKET CONTACT 0,63X1,5 AG, LP



TE Part # 1452157-1
MQS1,5 SOCKET CONTACT



TE Part # 5-1534116-3
MQS0,63 Ag rec CB unseal. 0,35-0,5 2P



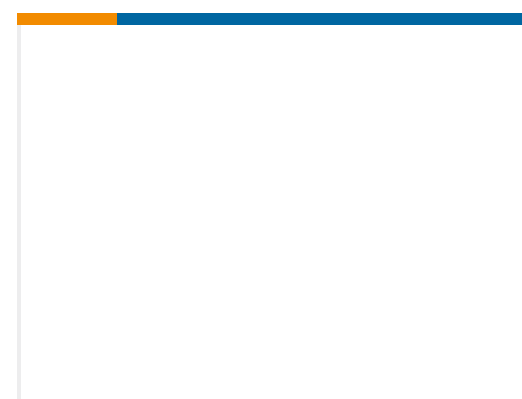
TE Part # 5-968220-7
MQS SOCKET CONTACT



TE Part # 6-968220-6
MQS RECEPTACLE CONTACT



TE Part # 1241608-2
BU-KONTAKT 0,63X1,5



TE Part # 1241609-2
BU-KONTAKT 0,63X1,5



TE Part # 9-968220-1
MQS CLEAN BODY REC CONT



TE Part # 9-968221-1
MQS CLEAN BODY REC CONT

Also in the Series | **MQS**



Automotive Connector Caps & Covers (133)



Automotive Connector EMC Shielding (2)



Automotive Connector Locks & Position Assurance(29)



Automotive Headers(207)



Automotive Housings(498)



Automotive Seals & Cavity Plugs(26)



Automotive Terminals(98)



Data Connectivity Headers(1)

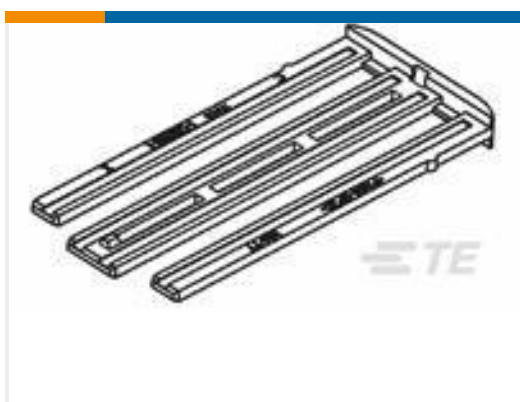


Insertion & Extraction Tools(42)



Other Automotive Connector Accessories(13)

Customers Also Bought



TE Part #1-1355118-1
RETAINER FOR 60POS SOCKET HSG



TE Part #1394050-2
COVER F.21P REC-HSG



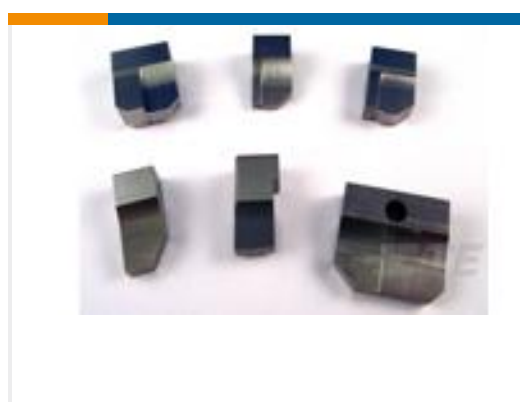
TE Part #1-967630-1
AMP MCP, UNSEALED CONNECTOR HOUSING



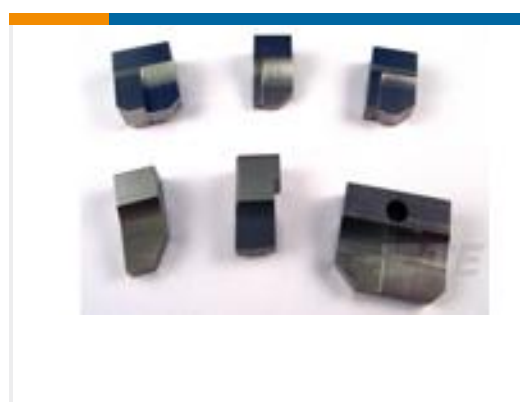
TE Part #1-967588-1
AMP MCP 9.5, CONTACT



TE Part #1-1579007-2
EXTRACTION TOOL



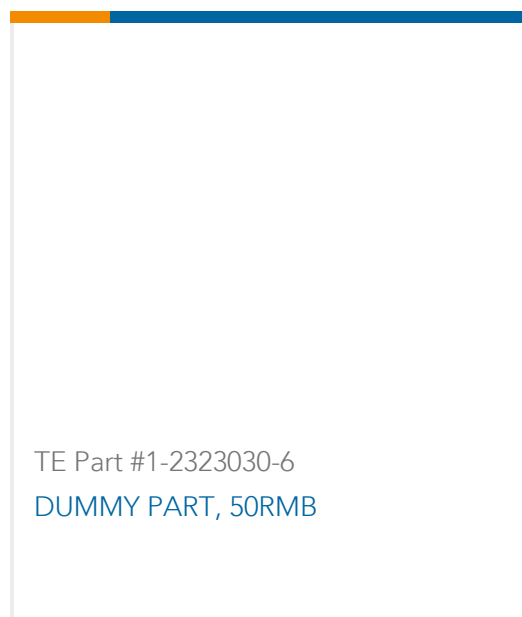
TE Part #1-1333204-7
ANVIL, COMBINATION (.080)



TE Part #1-1338690-1
ANVIL, COMBINATION .055



TE Part #HC5737
70MM2 NEGBAT LEAD 1/4" UNC
THREAD



Documents

Product Drawings

[EXTRACTION TOOL](#)

English

Datasheets & Catalog Pages

[Crimp Term Whitepaper-Use the Right Tool 1-1773953-1](#)

English

[CRIMPING WHERE FORM MEETS FUNCTION](#)

English

[Insertion-Extraction-Tool-2345721-1](#)

English