

# USB Adapter Cables and Connector **multicomp** PRO

RoHS  
Compliant



## Description

The major benefits of the USB4 includes faster transfer speeds (up to 40 Gbit/s), a better management of video bandwidth (using a process called “protocol tunneling” that sends DisplayPort, PCIe and USB packets at the same time while allocating bandwidth accordingly) and optional compatibility with Thunderbolt 3 products.

## Features

- Quick solution for the use of peripheral devices with serial interfaces (e.g. modems, digital cameras, printers) with notebooks or computers with USB interface
- Data transfer rate of over 1Mbit/s
- Connections: 1x USB Type A, 1x DB 9-pin connector
- Equivalent to the USB 1.1 specification
- Length: 1.8 m
- Windows 98 / ME / 2000 / XP / Vista / 7

## Specifications

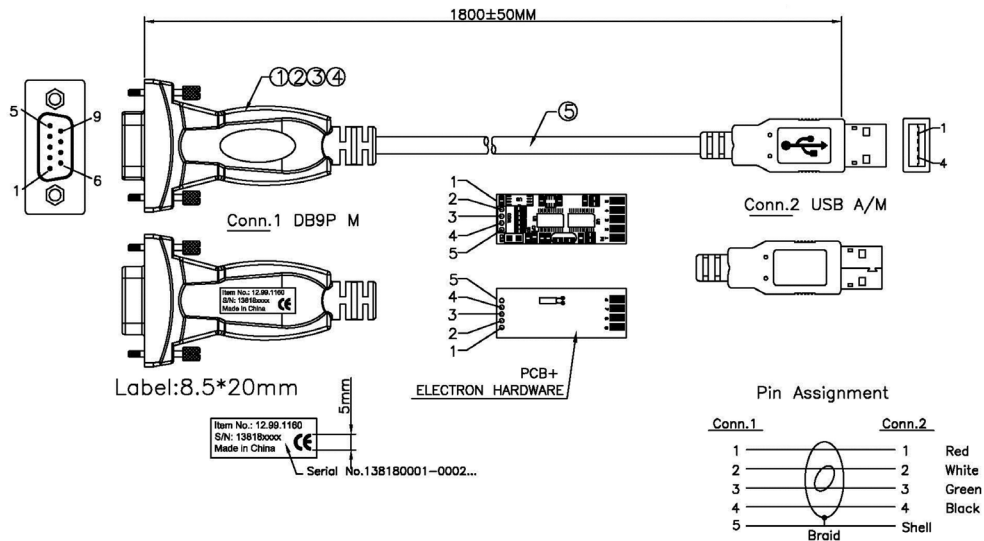
Product type	USB - Serial Converter
Colour	turquoise
Length	1.8m
Scope of delivery	Converter cable, adapter DB9 F-DB25 M, driver CD
Side 1 connection (PC)	USB A Male
Side 2 connection (Peripherals)	DB9 / DB25 Male
Side 1 Connector Type	USB 2.0 Type A
Side 1 Connector Gender	Male
Side 2 Connector Type	D-Sub 9-pin (DE-9) D-Sub 25-pin (DB-25)
Side 2 Connector Gender	Male
Conversion direction	seriell - USB
Area of application	External
Dimensions (HxWxD)	Cable length 1.8m
Hand locking screws	Yes
Weight	120.6g
Height of packaging (single piece)	40mm
Width of packaging (single piece)	130mm
Depth of packaging (single piece)	220mm
Package weight (single piece)	0.15kg

Newark.com/multicomp-pro  
Farnell.com/multicomp-pro  
sg.element14.com/b/multicomp-pro

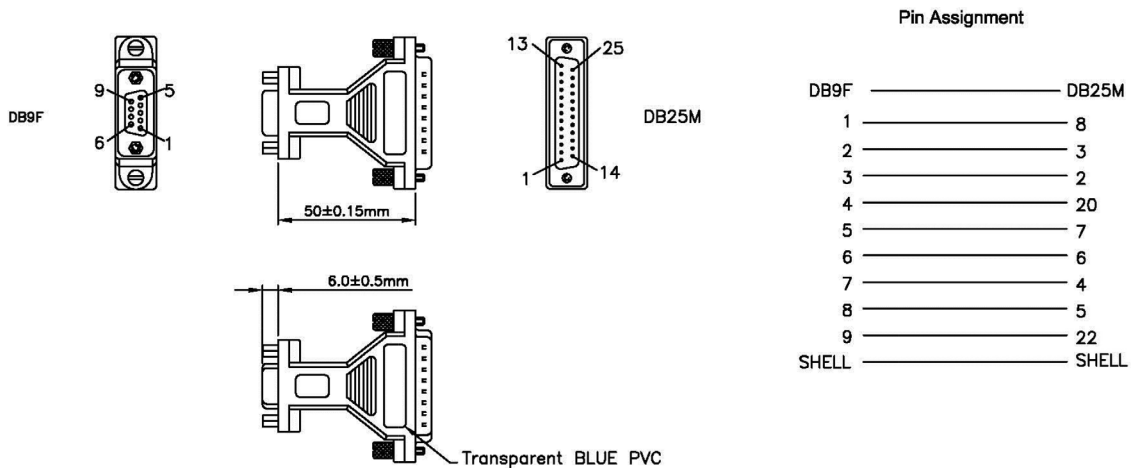
**multicomp** PRO

# USB Adapter Cables and Connector **multicomp** PRO

## Diagram



No	Specification Description	Q'ty	Unit
1	BF-812A SMD+DIP	1	pcs
2	PE (LDPE)	8	g
3	PVC 45P PMS: Transparent Blue	22	g
4	Blot #4-40	2	pcs
5	USB AM to Open 1.0M USB Cable UL2725 30AWG×1P+30AWG×2C+AEB (AL50%) OD:4.5mm PVC 45P PMS: Transparent	1	pcs



### Note

- Continuity Testing:  
Insulation Resistance: 10MΩ (Min)  
Conductive Resistance: 1Ω (Max)
- Tooling for DB9F+DB25M: SM2-A925-Z01.  
Tooling for Metal Screw: SMT-5622-K01

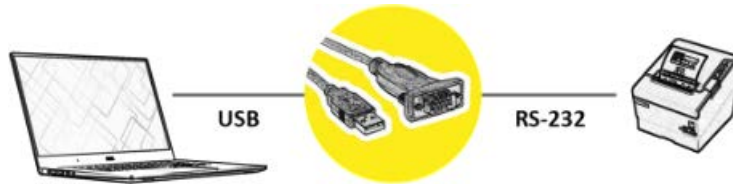
Dimensions : Millimetres

Newark.com/multicomp-pro  
Farnell.com/multicomp-pro  
sg.element14.com/b/multicomp-pro

**multicomp** PRO

# USB Adapter Cables and Connector **multicomp** PRO

## Application



## Part Number Table

Description	Part Number
USB Adapter Cable, USB Type A Plug to RS-232, Adapter DB9 F-DB25 M, 1.8m	MP010458

**Important Notice :** This data sheet and its contents (the "Information") belong to the members of the AVNET group of companies (the "Group") or are licensed to it. No licence is granted for the use of it other than for information purposes in connection with the products to which it relates. No licence of any intellectual property rights is granted. The Information is subject to change without notice and replaces all data sheets previously supplied. The Information supplied is believed to be accurate but the Group assumes no responsibility for its accuracy or completeness, any error in or omission from it or for any use made of it. Users of this data sheet should check for themselves the Information and the suitability of the products for their purpose and not make any assumptions based on information included or omitted. Liability for loss or damage resulting from any reliance on the Information or use of it (including liability resulting from negligence or where the Group was aware of the possibility of such loss or damage arising) is excluded. This will not operate to limit or restrict the Group's liability for death or personal injury resulting from its negligence. Multicomp Pro is the registered trademark of Premier Farnell Limited 2019.

Newark.com/multicomp-pro  
Farnell.com/multicomp-pro  
sg.element14.com/b/multicomp-pro

**multicomp** PRO