

**Specifications**

**Material**

Housing&Slider: LCP, UL94V-0, Black  
 Terminal& Card Detect Pin: Phosphor Bronze  
 Shell: Stainless Steel  
 Coil Spring: SWP  
 Latch: Stainless Steel

**Plating**

**Terminal:**

Under-plating: 50µ" min. Nickel all over  
 Contact Area: Gold Flash  
 Soldering Area: 80µ" min. Matte Tin

**Shell :**

Under-plating : 50µ" Nickel all over  
 Soldering Area : Gold Flash

**Card Detect Pin:**

Under-plating: 50µ" min. Nickel all over  
 Contact Area: Gold Flash

Solder Tail : Gold Flash

Coil Spring&Latch: Clear

**Electrical**

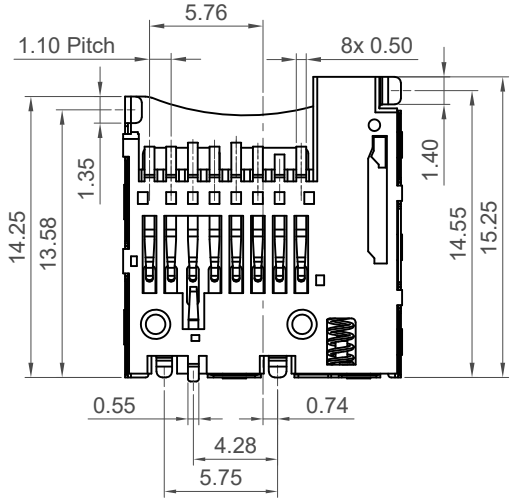
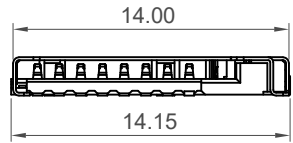
Voltage Rating: 10 V AC max  
 Current Rating: 0.5 A max.  
 Contact Resistance: 100mΩ max.  
 Insulating Resistance: 1000MΩ min. at 500 V DC  
 Dielectric Withstand Voltage: 500 V AC

**Mechanical & Environmental**

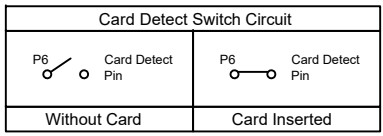
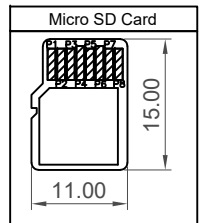
Durability: 10000 Cycles  
 Operating Temperature: -40°C to +85°C

**Recommended PCB Layout**

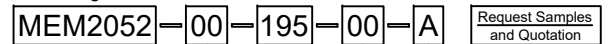
As viewed from component side General Tolerance: ±0.05  
 ▨ Solder Area ▩ Keep Out Area □ Component Outline



MICRO SD CARD PIN OUT		
Pin	Name	Description
P1	DAT2	Data Bit 2
P2	CD/DAT3	Card Detect/Data Bit 3
P3	CMD	Command Line
P4	V <sub>cc</sub>	Supply Voltage 2.7v/3.6v
P5	CLK	Clock
P6	V <sub>ss</sub>	Ground
P7	DAT0	Data Bit 0
P8	DAT1	Data Bit 1
P9	CD Pin	Card Detect Pin



**Ordering Grid**

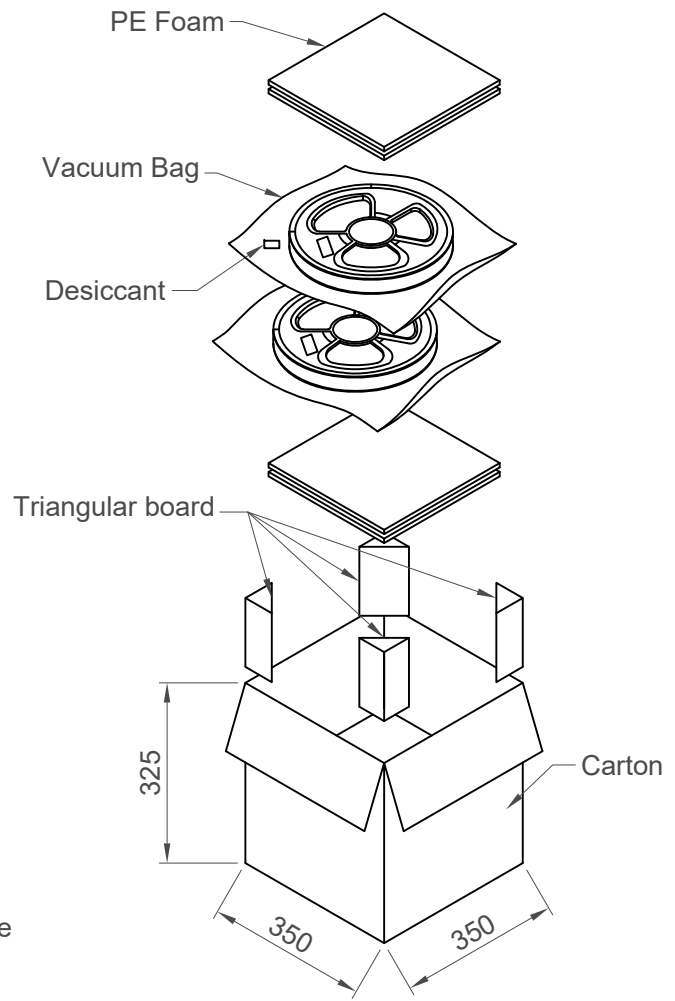
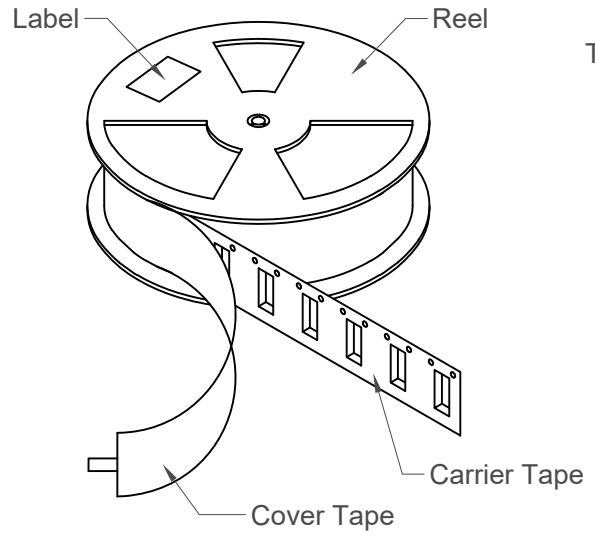
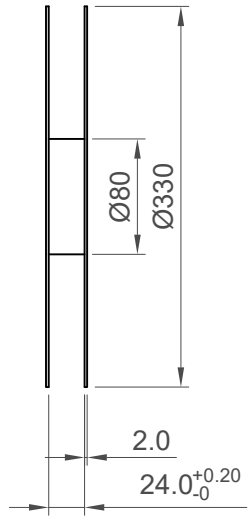
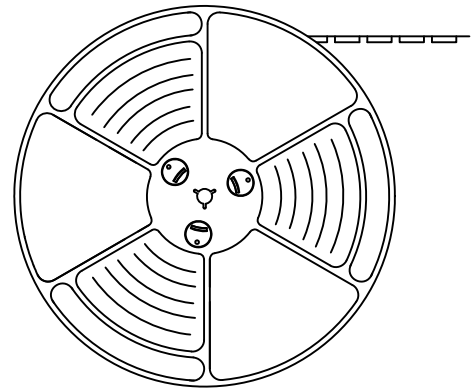
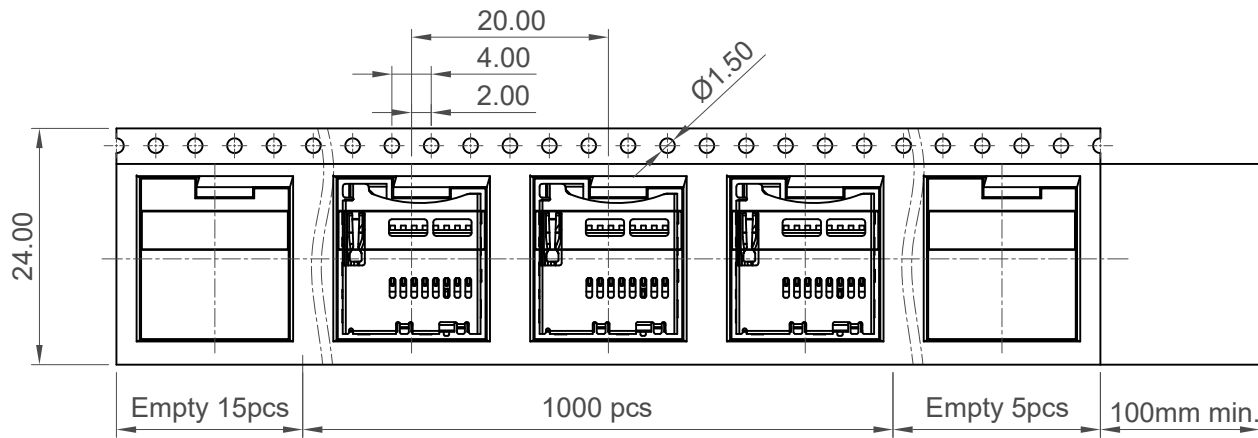


Switch  
 00 = Normally Open

Locating Post  
 00 = Without

Packing Options  
 A = Tape & Reel (1000 per Reel)

Part Number MEM2052		Product Description Micro SD Memory Card Connector Push-Push, SMT, Card Entry Normal, 1.95mm Profile		 www.gct.co
Drawing Date 23rd November 2022				
By	CC	Tolerances (Except as Noted)	Units:	 This drawing is confidential and copyright of Global Connector Technology, Ltd (GCT). This drawing must not be copied or disclosed without written consent. E & OE
Detail	Drawing Release	X.X ±0.35 X.XX ±0.25 X.XXX ±0.15	Angle ±2°	
Revision	A			
Date	23/11/22			
		 3rd Angle Projection		Not to Scale Drawn By CC
				Sheet No. 1/2



Pcs/Reel	Reels/Carton	Pcs/Carton
1000	10	10000

Part Number		Product Description	
MEM2052		Micro SD Memory Card Connector	
Drawing Date		Push-Push, SMT, Card Entry Normal, 1.95mm Profile	
23rd November 2022			
By	CC	Tolerances (Except as Noted)	Units:
Detail	Drawing Release	Length	Metric (mm)
Revision	A	X.X ±0.35	 
Date	23/11/22	X.XX ±0.25	
		X.XXX ±0.15	Angle ±2°
		This drawing is confidential and copyright of Global Connector Technology, Ltd (GCT). This drawing must not be copied or disclosed without written consent. E & OE	
		 www.gct.co	
		Not to Scale	Drawn By CC
		Sheet No. 2/2	