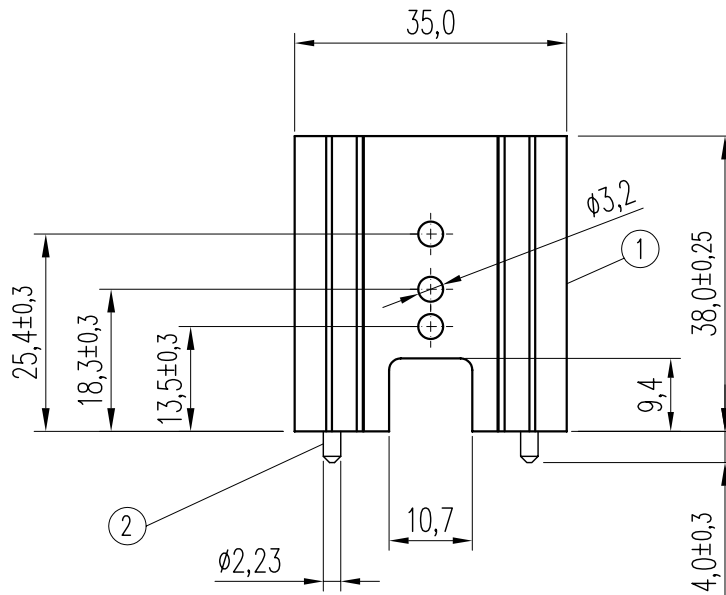
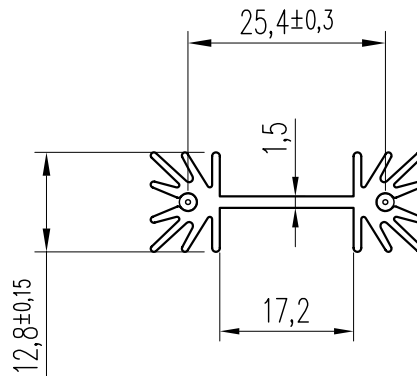


Pos.	Description	Q.ty	P/N
2	PIN-BRASS-D.2,23x15-TIN-BM012 B	2	406072G
1	HTSK-AL-OS172-38-B-ML73 6099 STD	1	405132



Note:

ML73 (S172/38 with pins)

Scale

1:1

THIS DOCUMENT CONTAINS AAVID THERMALLOY'S INTELLECTUAL PROPERTY WHICH IS SUPPLIED IN CONFIDENCE; IT MUST NOT BE USED FOR ANY PURPOSE OTHER THAN WHICH IT IS SUPPLIED; IT MUST NOT BE REPRODUCED WITHOUT WRITTEN PERMISSION FROM THE OWNERS

©

DR



Format A4

Die n.

Factor

Perim.

Area

Weight

B

13Jan05

RoHS compliant pins used; ECF 327 B0 refers

AS

A

30Jul02

ORIGINAL (was L07385A rev.B)

REV

Date

Revision description

By

MATERIAL Aluminium EN AW-6060

GENERAL TOLERANCES Extrusion UNI3879

Machining UNI2768 m

FINISH BLACK ANODIZATION

Vis. n.

405134G

Drawn

M. Calanchi

Check

DRAWING n.

BC094

Description: HTSK-AL-OS172-38-

-B-PINS-ML73 6099 STD

CONF500-BC094 B



**AAVID THERMALLOY**  
EUROPE [www.aavidthermalloy.com](http://www.aavidthermalloy.com)

Via XXV Aprile, 32 Cheney Manor  
40057 Cadriano - Bologna ITALY SWINDON WILTS SN2 2QN UK  
Tel. +39 051 764011 Tel. +44 1793 401400  
Fax +39 051 764090 Fax +44 1793 615396

COMPANY WITH QUALITY SYSTEM CERTIFIED BY LRQA ISO 9001:2000