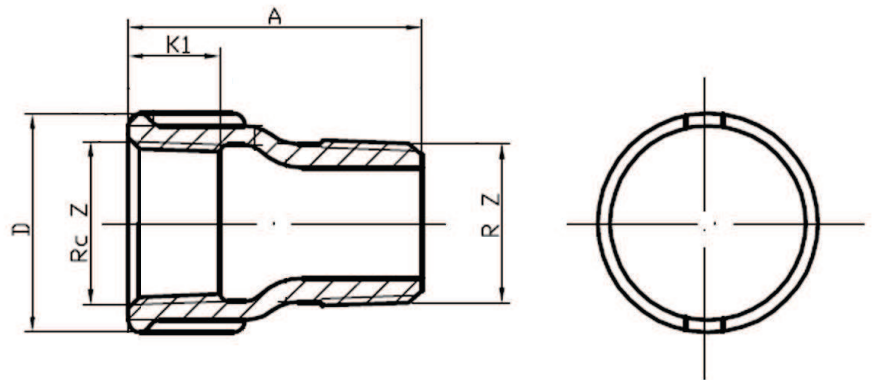


TECHNICAL INFORMATION

Type 529a
Socket M/F
M4



SIZE	A [mm]	D [mm]	K1 [mm]	R/Rc Z
3/8"	35	25	10	3/8"
1/2"	43	29	13	1/2"
3/4"	48	35,8	15	3/4"
1"	55	43	17	1"
1 1/4"	60	52,5	19	1 1/4"
1 1/2"	63	59	19	1 1/2"
2"	70	72,5	24	2"

Technical characteristics:

- products according to DIN EN 10242, Design Symbol A
- certified by DVGW CERT