

Clamps • DIN 6316 with goose-neck

23160.0014

Product Description

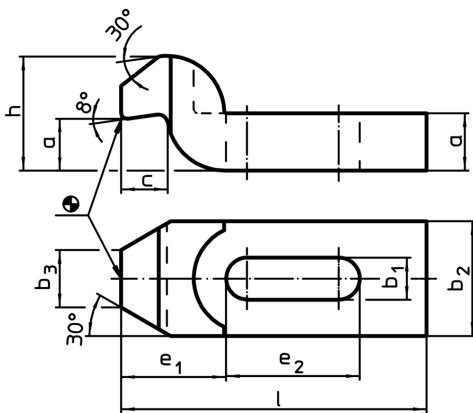
This clamp (clamping claw) according to DIN 6316 with goose-neck is mainly used in mechanical clamping technology for clamping workpieces.



Material

- Heat-treated steel, varnished

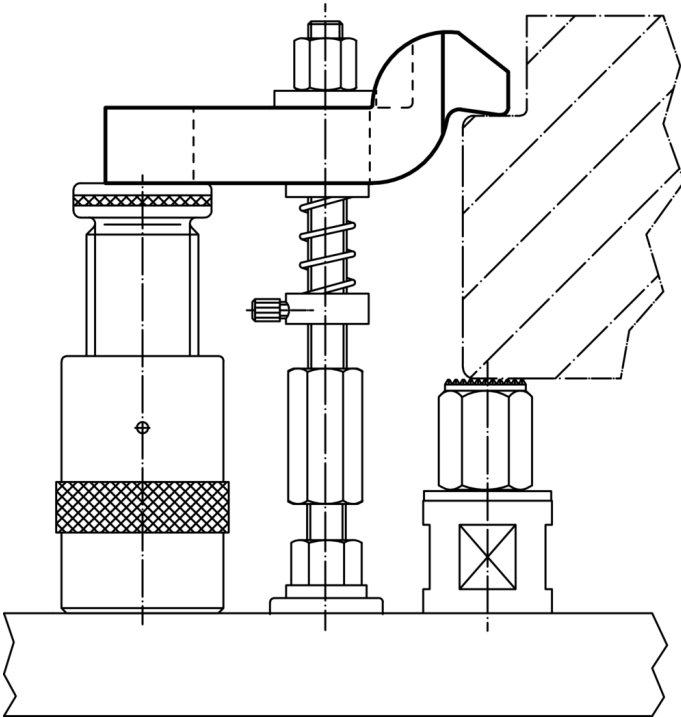
Drawing



Order information

Nominal dimension b ₁ [mm]	Dimensions								For screws		Art. No.	
	l	a	b ₂	b ₃	c	e ₁	e ₂	h	[mm]	[inch]		
14	125	20	40	20	16	40	40	40	M12, M14	1/2	680	23160.0014

Application example



Compliance

RoHS compliant

Compliant according to Directive 2011/65/EU and Directive 2015/863

Does not contain SVHC substances

No SVHC substances with more than 0.1% w/w contained - SVHC list [REACH] as of 10.06.2022

Does not contain Proposition 65 substances

No Proposition 65 substances included

<https://www.P65Warnings.ca.gov/>

Free from Conflict Minerals

This product does not contain any substances designated as "conflict minerals" such as tantalum, tin, gold or tungsten from the Democratic Republic of Congo or adjacent countries.