

Worm Geared Motors R with One-Stage Worm Gears

230/400V, 50Hz, IP54, isolation class F, can also be connected to alternating current using an operating capacitor.

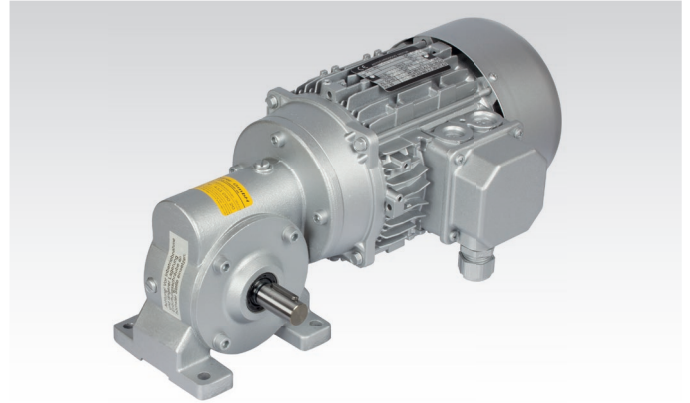
Efficiency class IE2.

General data page 945.

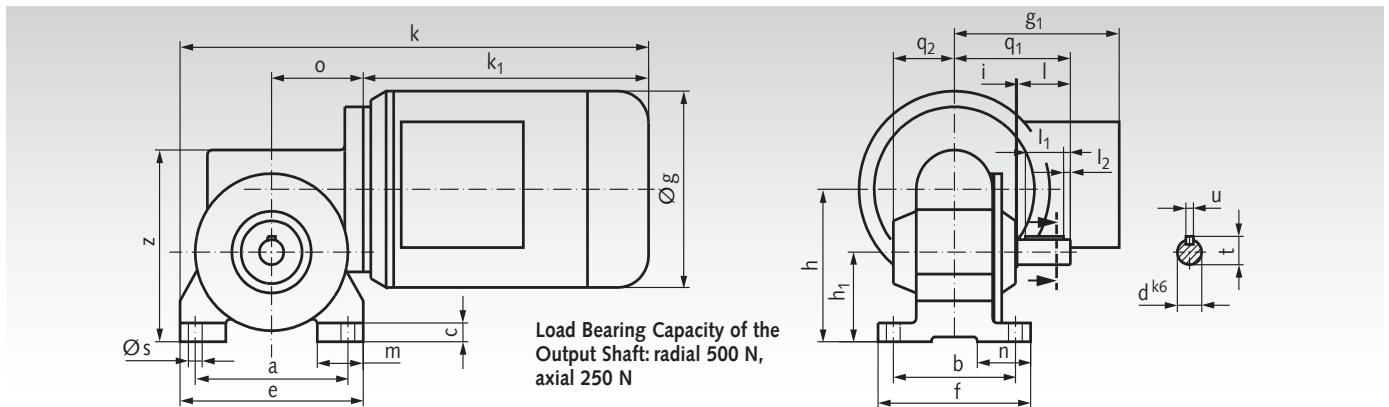
Motor and gearbox with roller bearing.

Worms hardened and ground.

Worm gears made from special brass.



Ordering details: Type, Voltage/Frequency, possibly Operating Capacitor, Motor Data, Ratio, Product No.



Power Watt	a mm	b mm	c mm	e mm	f mm	h mm	h ₁ mm	m mm	n mm	s mm	g mm	g ₁ mm	k mm	k ₁ mm	o mm	q ₁ mm	q ₂ mm	z mm	d mm	i mm	l mm	l ₁ mm	l ₂ mm	t mm	u mm
180	100	80	12	120	100	97	57	30	35	9	125	108	307	187	60	76	40	122	16	1	35	25	5	18	5
250	100	80	12	120	100	97	57	30	35	9	140	114	327	207	60	76	40	122	16	1	35	25	5	18	5

Dimensions without stated tolerances are non-binding!

Motor Data 180 Watt, 1400 min⁻¹, ca. 0.7 A at 400 Volt

Product No.	Output-Speed min ⁻¹	Ratio i =	Permiss. Torque at the Output Shaft Nm	Weight kg	Product No. Operating Capacitor 20µF
433 08 007	207	7 : 1	6,5	6,5	436 362 00
433 08 008	175	8 : 1	7,4	6,5	436 362 00
433 08 010	140	10 : 1	9,1	6,5	436 362 00
433 08 012	117	12 : 1	10	6,5	436 362 00
433 08 015	93	15 : 1	12	6,5	436 362 00
433 08 020	70	20 : 1	15	6,5	436 362 00
433 08 025	56	25 : 1	17	6,5	436 362 00
433 08 030	47	30 : 1	20	6,5	436 362 00
433 08 040	35	40 : 1	23	6,5	436 362 00
433 08 050	28	50 : 1	27	6,5	436 362 00
433 08 060	23	60 : 1	21	6,5	436 362 00
433 08 080	18	80 : 1	24*	6,5	436 362 00

* Stability related max. torque.

Motor Data 250 Watt, 1400 min⁻¹, ca. 0,8 A at 400 Volt

Product No.	Output-Speed min ⁻¹	Ratio i =	Permiss. Torque at the Output Shaft Nm	Weight kg	Product No. Operating Capacitor 25µF
433 09 007	207	7 : 1	9	7,8	436 363 00
433 09 008	175	8 : 1	10	7,8	436 363 00
433 09 010	140	10 : 1	13	7,8	436 363 00
433 09 012	117	12 : 1	14	7,8	436 363 00
433 09 015	93	15 : 1	17	7,8	436 363 00
433 09 020	70	20 : 1	21	7,8	436 363 00
433 09 025	56	25 : 1	23	7,8	436 363 00
433 09 030	47	30 : 1	27	7,8	436 363 00
433 09 040	35	40 : 1	31	7,8	436 363 00
433 09 050	28	50 : 1	32*	7,8	436 363 00
433 09 060	23	60 : 1	23*	7,8	436 363 00
433 09 080	18	80 : 1	24*	7,8	436 363 00

* Stability related max. torque.