

120mm sq.

San Ace 120W

38mm thick(WV type), 38mm thick(WP type)
38mm thick(WG type), 38mm thick(WS type)



General Specifications

- Material Frame: Plastics (Flammability: UL94V-0),
Impeller: Plastics (Flammability: UL94V-1)
- Expected Life Refer to specifications (Indoor, L10:Survival rate: 90% at 60°C,
rated voltage, and continuously run in a free air state)
- Lead Wire ⊕red ⊖black (Sensor) yellow
- Storage Temperature -30°C to +70°C (Non-condensing)

120×120×38mm [Mass : 360g] **IP 68** **WPtype**

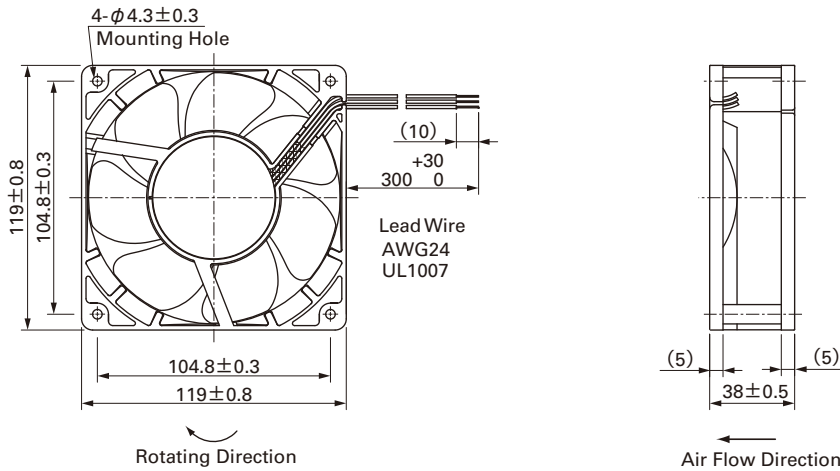
Specifications

The following nos. **have pulse sensors and ribs**. For ribless, append "1" to the model no.

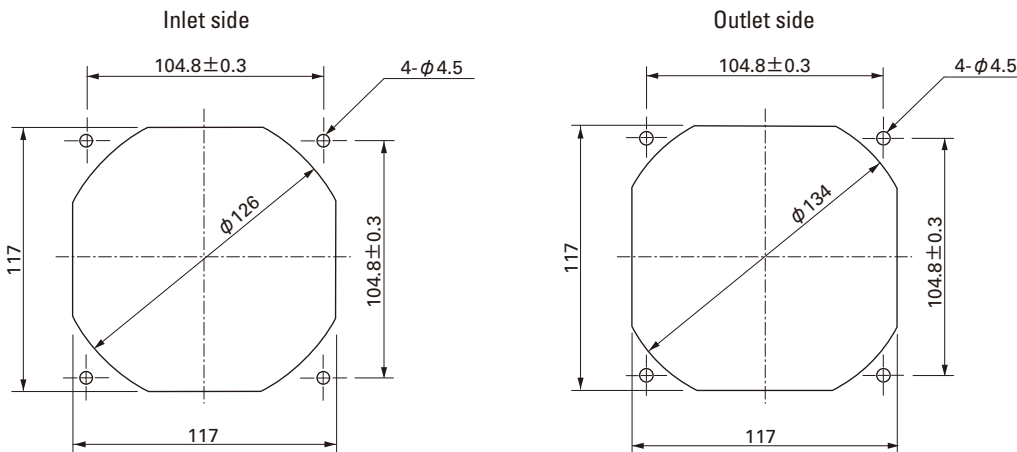
Model No.	Rated Voltage [V]	Operating Voltage Range [V]	Rated Current [A]	Rated Input [W]	Rated Speed [min ⁻¹]	Max. Air Flow [m ³ /min] [CFM]	Max. Static Pressure [Pa] [inchH ₂ O]	SPL [dB(A)]	Operating Temperature [°C]	Expected Life [h]
9WP1212H101	12	7.0 to 13.8	0.38	4.56	2,600	2.80 99	70.4 0.283	39	- 20 to + 70	40,000
9WP1224H101	24	14.0 to 27.6	0.22	5.28	2,600	2.80 99	70.4 0.283	39		
9WP1248H101	48	40.8 to 55.2	0.11	5.28	2,600	2.80 99	70.4 0.283	39		

- Available options: ⇒ **Without Sensor**
- Please inquire as the availability of these functions depend on the model. ⇒ **Lock Sensor**

Dimensions (Unit : mm) (With ribs)



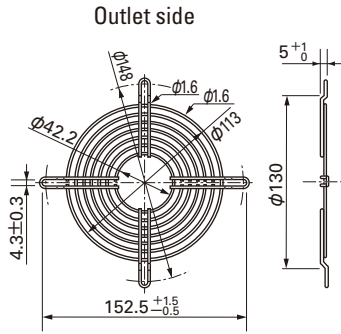
Reference dimension of mounting holes and vent opening (Unit : mm)



Options (Unit : mm)

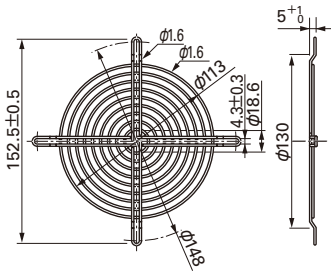
Finger guards

Model : 109-019C Surface treatment : Nickel-chrome plating (silver) Color
 : 109-019H : Cation electropainting (black)



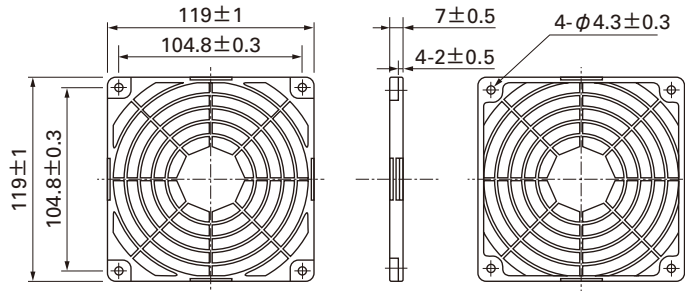
Model : 109-019E Surface treatment : Nickel-chrome plating (silver) Color
 : 109-019K : Cation electropainting (black)

Inlet side, Outlet side



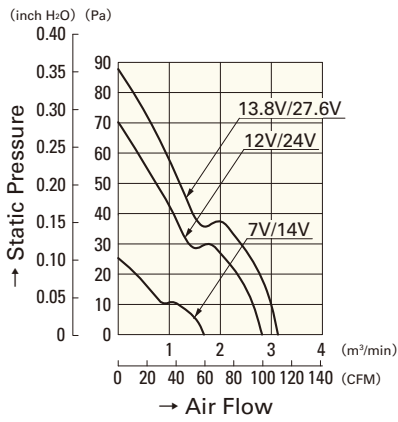
Resin Finger guards

Model : 109-1000G



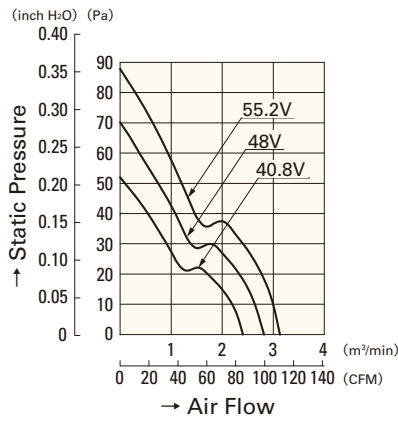
Air Flow - Static Pressure Characteristics

H speed



9WP1212H101
9WP1224H101

H speed



9WP1248H101