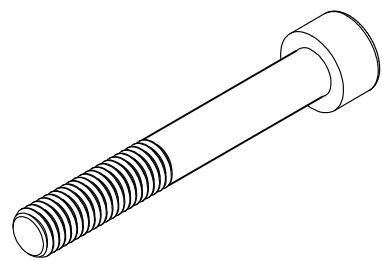
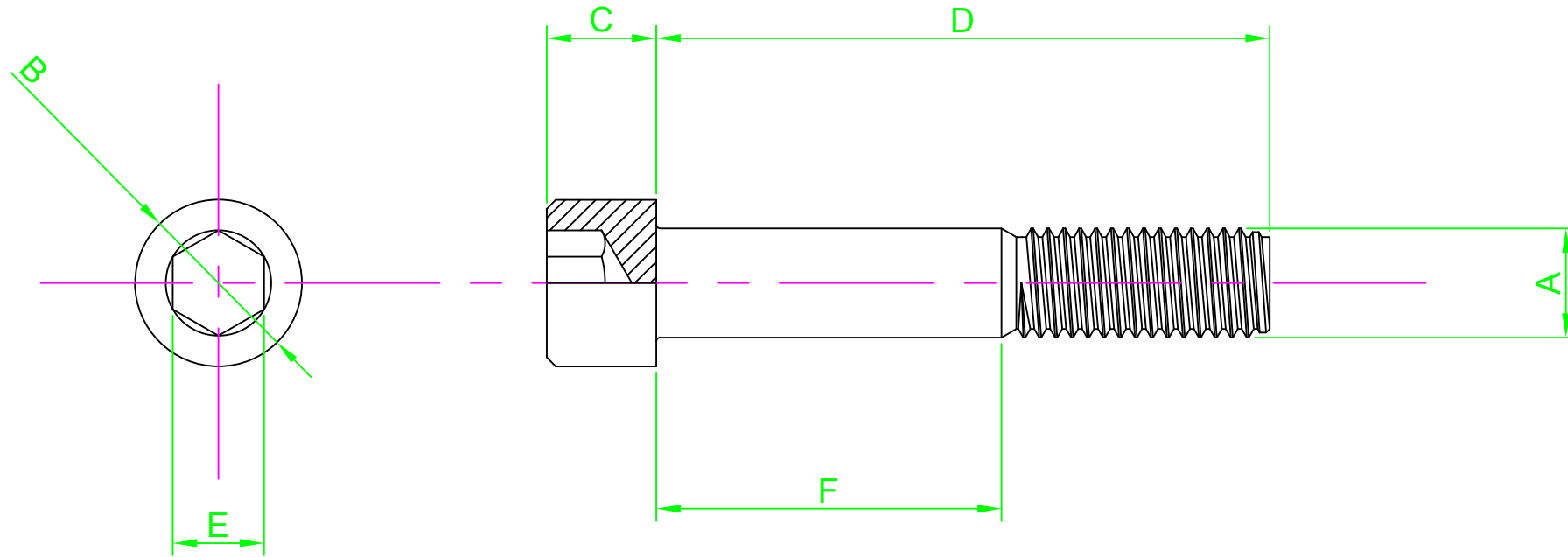


DO NOT SCALE DRAWING

REVISION

A INITIAL DRAWING 25.01.16



Part Number	ØA	B Max	C Max	D Length	E Nom	F Max
M1.6 4 SO12CS S50	M1.6-0.35	3.14	1.6	4.0	1.5	1.05
M1.6 5 SO12CS S50				5.0		
M1.6 8 SO12CS S50				8.0		
M1.6 10 SO12CS S50				10.0		

NOTES:



UNLESS OTHERWISE SPECIFIED:
DIMENSIONS ARE IN MM (MILLIMETERS).
SURFACE FINISH:
TOLERANCES: DIN 912

MATERIAL:
Steel

TITLE:
Hex Socket Head Cap Screw DIN 912

	NAME	DATE
DRAWN	Darryl Wilson	25.01.16
CHK'D		
APPVD		

HEAT TREATMENT:
Grade 12.9

DESIGN RIGHT. TR FASTENINGS LTD, 2003
UNDER NO CIRCUMSTANCES MUST THIS
DRAWING BE COPIED OR DISCLOSED
WITHOUT FIRST OBTAINING WRITTEN
AUTHORITY.

CUSTOMER PART NUMBER:
N/A

FINISH:
Self Finish

DRAWING NUMBER:
TR32SO12CSS50

A4

PROJECTION

