

963063-1 ✓ ACTIVE



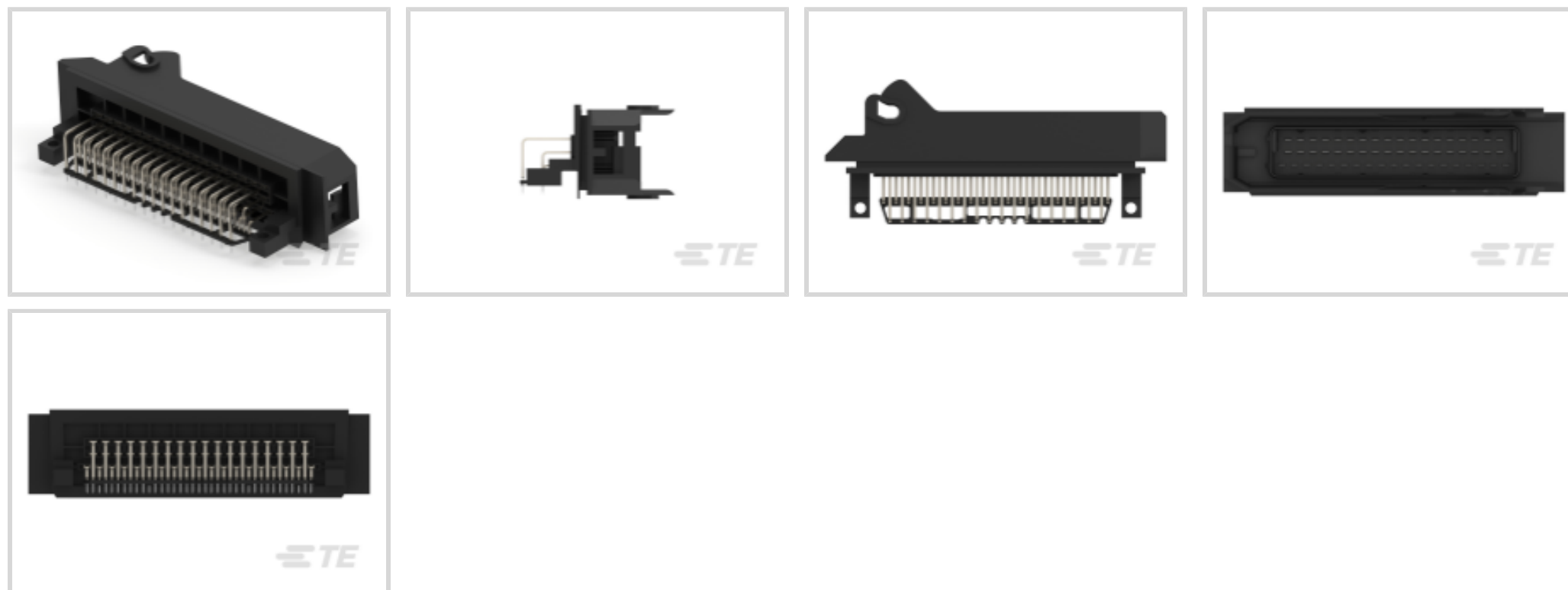
Junior Timer

TE Internal #: 963063-1

PCB Mount Header, Horizontal, Wire-to-Board, 55 Position, 5 mm [.196 in] Centerline, Fully Shrouded, Tin, Through Hole - Solder, Signal, Junior Timer

[View on TE.com >](#)

Connectors > PCB Connectors > PCB Headers & Receptacles > High Pin Count Header



Connector System: **Wire-to-Board**

Number of Positions: **55**

Centerline (Pitch): **5 mm [.196 in]**

Sealable: **No**

PCB Mount Orientation: **Horizontal**

[All High Pin Count Header \(95\)](#)

Features

Product Type Features

Mixed & Hybrid Header	No
Connector Shape	Rectangular
PCB Connector Assembly Type	PCB Mount Header
Header Type	Fully Shrouded
Connector System	Wire-to-Board
Sealable	No

Configuration Features

Number of Sections	1
Number of Signal Positions	55
Number of Positions	55
PCB Mount Orientation	Horizontal
Number of Rows	3



Body Features

Primary Product Color	Black
Connector & Keying Code	8

Contact Features

Contact Size	1.6mm, 3mm
Contact Type	Tab
Mating Tab Width	3 mm[.118 in]
Mating Tab Thickness	.8 mm[.031 in]
Contact Mating Area Plating Material	Tin

Termination Features

Termination Method to Printed Circuit Board	Through Hole - Solder
---	-----------------------

Mechanical Attachment

Mounting Holes	With
Mating Retention	With
Mating Alignment	With
PCB Mount Alignment	With
Panel Mount Feature	Without
PCB Mount Retention	With
PCB Mount Retention Type	Mounting Hole
Mating Retention Type	Locking Interface

Housing Features

Centerline (Pitch)	5 mm[.196 in]
--------------------	---------------

Dimensions

Connector Length	137 mm[5.39 in]
Connector Width	26.3 mm[1.03 in]
Profile Height from PCB	35 mm[1.37 in]

Operation/Application

Shielded	No
Circuit Application	Signal

Packaging Features

Packaging Type	Carton
Packaging Quantity	10



Other

Interface Number	963534
------------------	--------

Product Compliance

[For compliance documentation, visit the product page on TE.com>](#)

EU RoHS Directive 2011/65/EU	Compliant
EU ELV Directive 2000/53/EC	Compliant
China RoHS 2 Directive MIIT Order No 32, 2016	No Restricted Materials Above Threshold
EU REACH Regulation (EC) No. 1907/2006	Current ECHA Candidate List: JUNE 2023 (235) Candidate List Declared Against: JUNE 2023 (235) Does not contain REACH SVHC
Halogen Content	Not Low Halogen - contains Br or Cl > 900 ppm.
Solder Process Capability	Not applicable for solder process capability

Product Compliance Disclaimer

This information is provided based on reasonable inquiry of our suppliers and represents our current actual knowledge based on the information they provided. This information is subject to change. The part numbers that TE has identified as EU RoHS compliant have a maximum concentration of 0.1% by weight in homogenous materials for lead, hexavalent chromium, mercury, PBB, PBDE, DBP, BBP, DEHP, DIBP, and 0.01% for cadmium, or qualify for an exemption to these limits as defined in the Annexes of Directive 2011/65/EU (RoHS2). Finished electrical and electronic equipment products will be CE marked as required by Directive 2011/65/EU. Components may not be CE marked. Additionally, the part numbers that TE has identified as EU ELV compliant have a maximum concentration of 0.1% by weight in homogenous materials for lead, hexavalent chromium, and mercury, and 0.01% for cadmium, or qualify for an exemption to these limits as defined in the Annexes of Directive 2000/53/EC (ELV). Regarding the REACH Regulation, the information TE provides on SVHC in articles for this part number is based on the latest European Chemicals Agency (ECHA) 'Guidance on requirements for substances in articles' posted at this URL: <https://echa.europa.eu/guidance-documents/guidance-on-reach>

Compatible Parts



Also in the Series | Junior Timer



Automotive Housings(60)

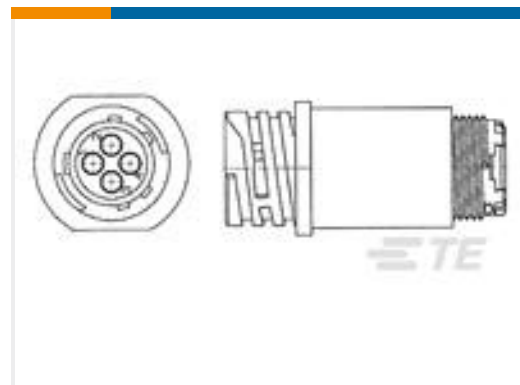


Automotive Terminals(15)



PCB Headers & Receptacles(2)

Customers Also Bought

TE Part #353830-5
High Pin Count HeaderTE Part #796291-1
SEALED CPC,SER1,23-24,FR RCPTTE Part #745253-3
D-Sub Conn Contacts: Socket,
Phosphor Bronze, Signal, Size 20TE Part #1658539-2
D-Sub Connector Contacts: Pin, Brass,
Signal, Size 20TE Part #770092-1
09P .093 COMM P&S RECPT HSGTE Part #1376700-1
040-3 UNSEALED CONT REC S L/P

Documents

Product Drawings

55P JUN-TIMER GEH

English

CAD Files

Customer View Model

[ENG_CVM_963063-1_15.3d_igs.zip](#)

English

Customer View Model

[ENG_CVM_963063-1_15.3d_stp.zip](#)

English

Customer View Model

[ENG_CVM_963063-1_15.2d_dxf.zip](#)

English

3D PDF

English

3D PDF



3D

Customer View Model

[ENG_CVM_CVM_963063-1_G.2d_dxf.zip](#)

English

Customer View Model

[ENG_CVM_CVM_963063-1_G.3d_igs.zip](#)

English

Customer View Model

[ENG_CVM_CVM_963063-1_G.3d_stp.zip](#)

English

By downloading the CAD file I accept and agree to the [Terms and Conditions](#) of use.

Datasheets & Catalog Pages

[Datasheet](#)

English