

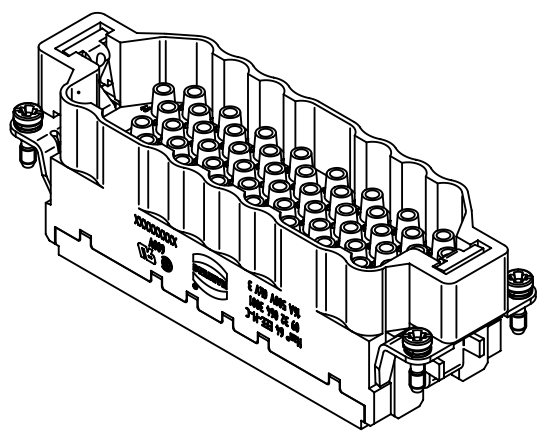
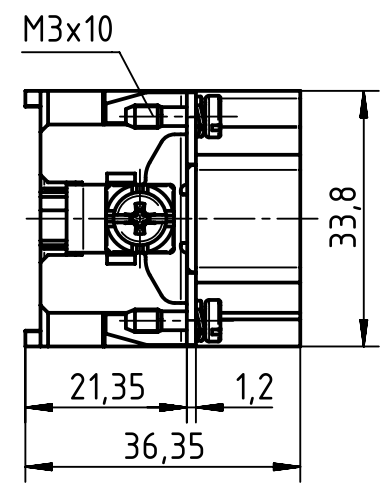
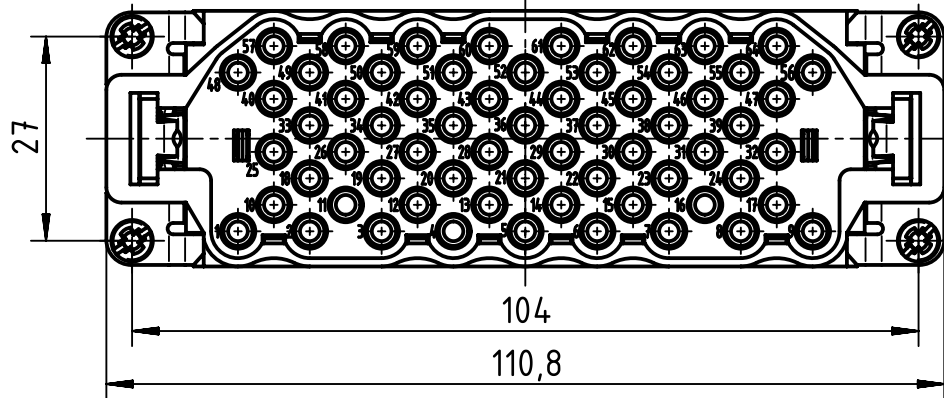
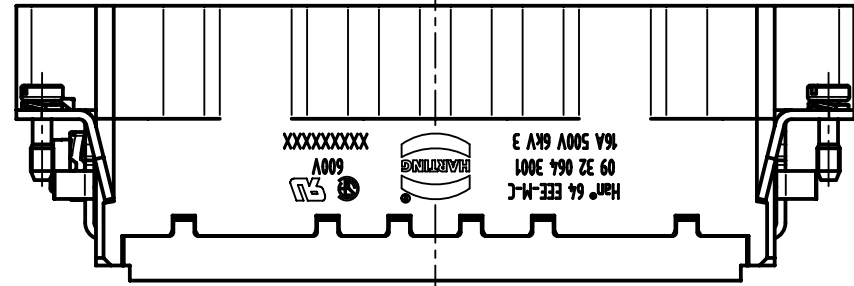
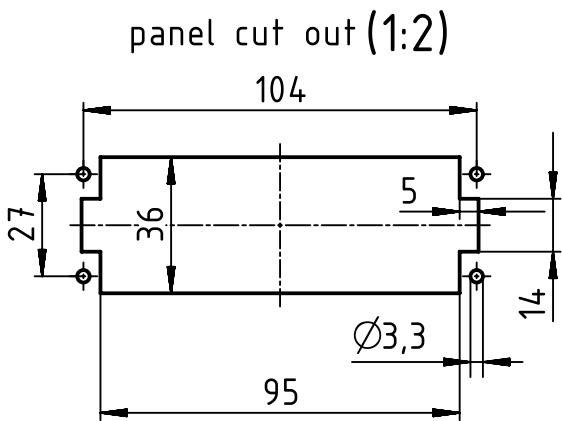
1 2 3 4 5 6

A

B

C

D



	All rights reserved Department EL PD - DE HARTING Electric GmbH & Co. KG D-32339 Espelkamp	All Dimensions in mm Original Size DIN A4		Scale 1:1	Free size tol.	Ref. Sub. TB 09 32 064 3001 v. 08.09.08			
		Created by HOLLERT	Inspected by BERGHORN	Standardisation SCHMIDTM	Date 2016-04-20	State Final Release	Doc-Key / ECM-Nr. 100173156/UGD/006/B 500000103364		
Title Han 64 EEE male insert crimp						Type TB	Number 09 32 064 3001	Rev. B	Page 1/1