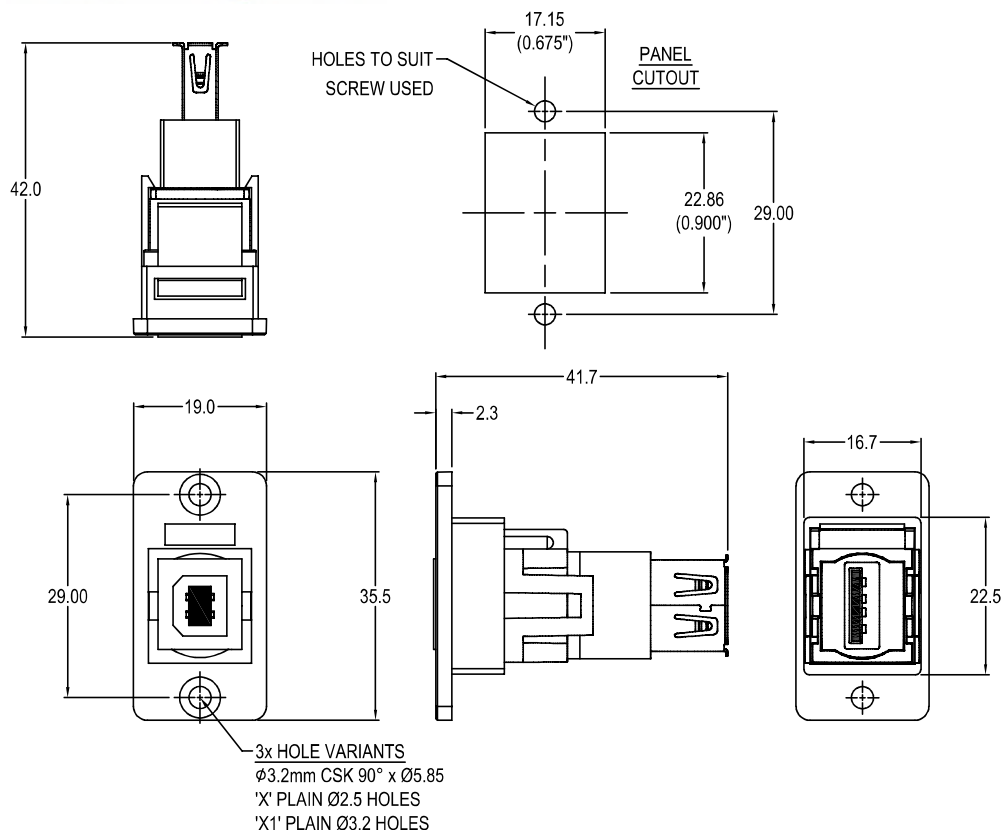


CLIFF

SLIM USB2.0 B-A FRONT MOUNTING FEEDTHROUGH CONNECTOR



VARIANTS

Part No.

- CP30607N** SLIM FM USB2.0 B-A Black plastic frame, CSK holes
CP30607NX SLIM FM USB2.0 B-A Black plastic frame, \varnothing 2.5 PLAIN holes
CP30607NX1 SLIM FM USB2.0 B-A Black plastic frame, \varnothing 3.2 PLAIN holes

Feedthrough Features

- Fits standard rectangular cutout.
- Various hole mounting options.
- No soldering or punch termination. Use standard cable for each connector style.
- Low rear profile.

General:

Please note: Functionality is affected by cable quality, length and cable wiring configuration.

Material:

1. Insert: ABS
2. Plastic Frame: Polyamide UL94 V-2
3. Shell: Nickel plated steel
4. Contacts: Gold Plated

Notes:

1. Voltage rating: 30V AC
2. Current rating: 1.5 A max
3. Contact resistance: 50m Ω max
4. Insulation resistance: 20M Ω min
5. Dielectric withstanding voltage: 500V AC
6. Operating Temperature: -20°C to 50°C