

**ebm-papst St. Georgen GmbH & Co. KG**

Hermann-Papst-Straße 1

78112 St. Georgen

Phone: +49 7724 81-0

Fax: +49 7724 81-1309

www.ebmpapst.com

info2@de.ebmpapst.com

Nominal data

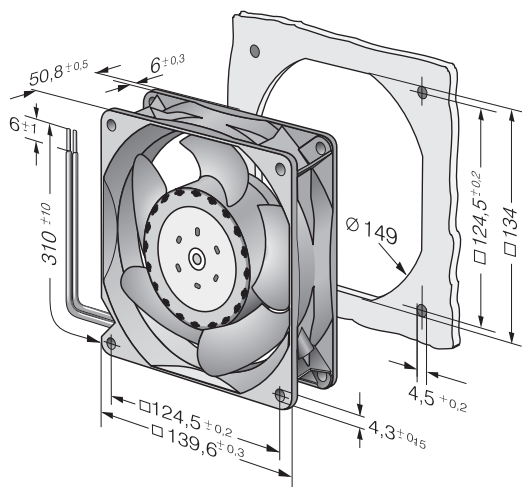
| Type | 5314 /2TD HHP | |
|--------------------------|----------------------|----------|
| Nominal voltage | [VDC] | 24 |
| Nominal voltage range | [VDC] | 16 .. 36 |
| Speed | [min ⁻¹] | 7000 |
| Power input | [W] | 67 |
| Min. ambient temperature | [°C] | -20 |
| Max. ambient temperature | [°C] | 70 |
| Air flow | [m ³ /h] | 490 |
| Sound power level | [B] | 8.1 |
| Sound pressure level | [dB(A)] | 75 |

ml = max. load · me = max. efficiency · rfa = running at free air · cs = customer specs · cu = customer unit
 Subject to alterations

Technical features

| | |
|--|---|
| Dimensions | 140 x 140 x 51 mm |
| General description | Very smooth running 3-phase fan drive. Very rigid compression curve for high air flow at high counterpressure. Low operating noise level at high counterpressure. Standard with PWM control input and speed signal. Electronic commutation completely integrated. |
| Direction of protection | Counterclockwise, looking at rotor |
| Direction of air flow | Inlet over bars |
| Note | Speed control range from 1000 rpm to maximum nominal speed. Standstill at 0% PWM, maximum speed at sensor break. |
| Bearing | Ball bearings |
| Lifetime L10 at 40 °C | 62500 h |
| Lifetime L10 at maximum temperature | 30000 h |
| Mass | 0.900 kg |
| Housing material | Aluminum. Housing with grounding lug for screw M4 x 8 (TORX). |
| Material of impeller | Fiberglass-reinforced PA plastic |
| Motor protection | Protected against reverse polarity and locking. |

Product drawing



Charts: Air flow

