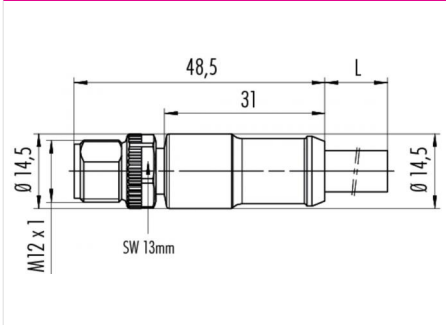


Product description	<b>Contacts: 3+PE, male cable connector, power, S-coding, cable outlet 8-10mm</b>
Area	<b>M12-S, M12-K Series 814 S-coding</b>
Order number	<b>77 0689 0000 50704-0200</b>

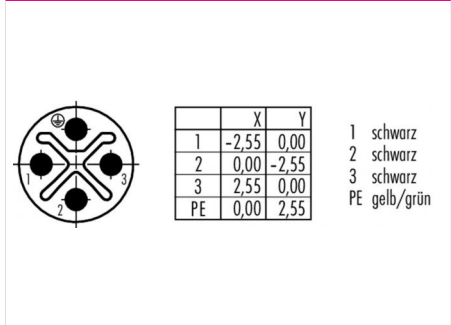
**Illustration**



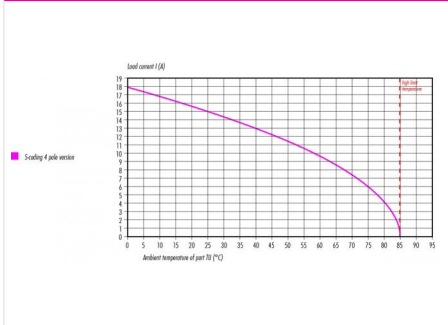
**Scale drawing**



**Contact arrangement**



**Derating curve**



**Technical data**

**General values**

Connector design	cable connector
Connector locking system	bolted
Termination	moulded on cable
Wire gauge (mm)	1.50 mm <sup>2</sup>
Wire gauge (AWG)	16
Upper limit temperature	85 °C
Lower limit temperature	-25 °C
Customs tariff number	85444290

**Cable data**

Sheath material	PUR
Cable diameter	8.5

**Electrical values**

Rated current (40 °C)	12 A
Rated voltage	630 V
Rated impulse voltage	6000 V
Pollution degree	3
Overvoltage category	III
Insulating material group	II
Volume resistivity	≤ 5 mΩ
Degree of protection	IP68
Mechanical operation	> 100 Mating cycles

**Material**

Contact material	CuZn (brass)
Contact plating	Au (gold)
Contact body material	PA
Housing material	PUR

Product description	<b>Contacts: 3+PE, male cable connector, power, S-coding, cable outlet 8-10mm</b>
Area	<b>M12-S, M12-K Series 814 S-coding</b>
Order number	<b>77 0689 0000 50704-0200</b>

## Security notices

The connector must not be connected or separated under load. Non-observance and incorrect use can result in personal injury.

The connectors are designed for use in plant, control system and electrical equipment. The end user is responsible for checking whether the connectors are suitable for use in other applications.

To prevent the connector being opened unintentionally when used in electrical circuits containing hazardous life parts, the thread between the housing and the connector head must be secured using a suitable cyanoacrylate adhesive. This does not apply to connectors used in SELV and PELV circuits according to IEC 61140 (EN 61140, VDE 0140-1).

Connectors used in electrical circuits containing hazardous life parts must only be assembled and used by or under the supervision of persons with the requisite electrotechnical training, taking the applicable regulations and standards into account.

The end user must take suitable safety measures to ensure that the connector cannot be disconnected accidentally. Connectors with degree of protection IP 67 and IP 68 are not suitable for use under water. When used outdoors, the connectors must be separately protected against corrosion. For further information about IP degrees of protection refer to 'Technical support' in the Download Centre.

To lock the cable connector to the equipment connector, the threaded ring is tightened until it is 'finger-tight' (approx. 50 cNm).