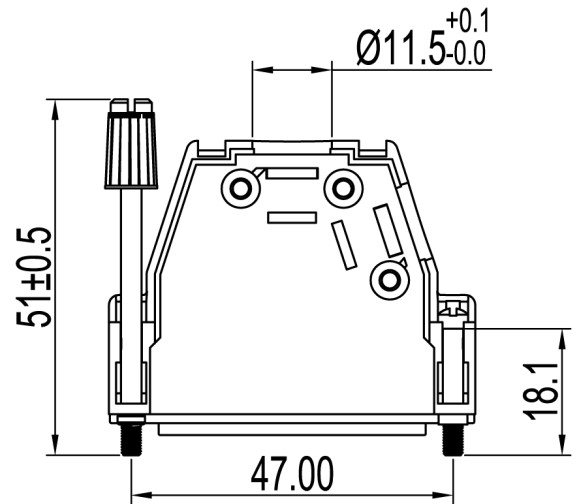
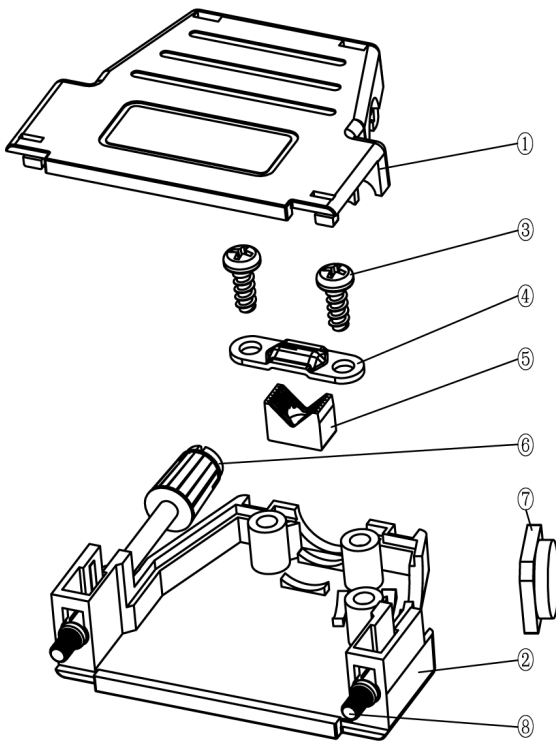
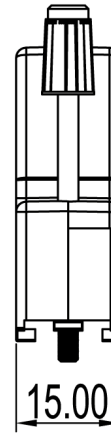
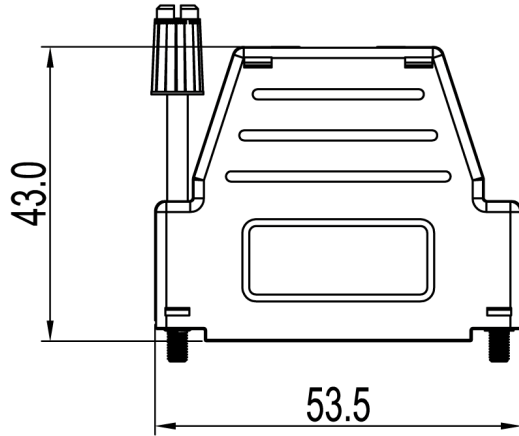


No.	Changes and/or Note No.	Date	Intr	No	Changes and/or Note No.	Date	Intr
-----	-------------------------	------	------	----	-------------------------	------	------



Part Number:	Description:	Pack:	Ltem	QTY	Part description
6260-0106-03	DSSK-M-25-L-K	Kit	1	1	DSSK-25 Upper cover
			2	1	DSSK-25 Lower cover
			3	2	EPS 3X8 Self Tapping Screw
			4	1	Cable Clamp
			5	1	Plastic Insert
6261-0106-03	DSSK-M-25-L	Bulk	6	2	UNC 4-40X51 Jackscrew
			7	1	Plastic Blanker
			8	1	UNC 4-40X18.1 Jackscrew

DATE: 2012-03-02	DRAWN: YGY	SCALE:	MATERIAL TYPE:	GENERAL TOLERANCES UNLESS OTHERWISE STATED LINEAR 0 ±0.20 0.0 ±0.15 0.00 ±0.10 ANGULAR ±0°30' ALL DIMENSIONS IN mm THIRD ANGLE PROJECTION
AUDITING:	APPROVED: MRR		REPLACES:	

	DSSK-M-SERIES		DRAWING No: 6688-9479-ML
--	----------------------	--	---------------------------------