

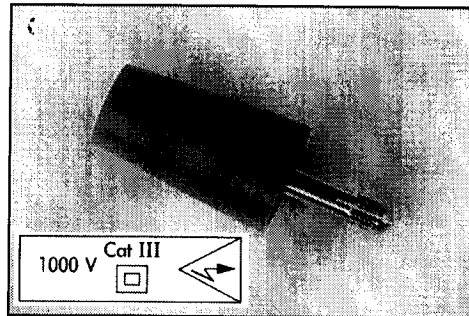
4mm connectors

Order code	Manufacturer code	Description
17-1605	3300-IEC RG	RED SHROUDED SOCKET ADAPTOR
17-1610	3300-IEC NR	BLACK SHROUDED SOCKET ADAPTOR
17-1615	3300-IEC VERT	GREEN SHROUDED SOCKET ADAPTOR
17-1640	n/a	n/a

4mm connectors	Page 1 of 2
The enclosed information is believed to be correct, Information may change 'without notice' due to product improvement. Users should ensure that the product is suitable for their use. E. & O. E.	Revision A 04/07/2003

Shrouded 4mm Socket Adaptor

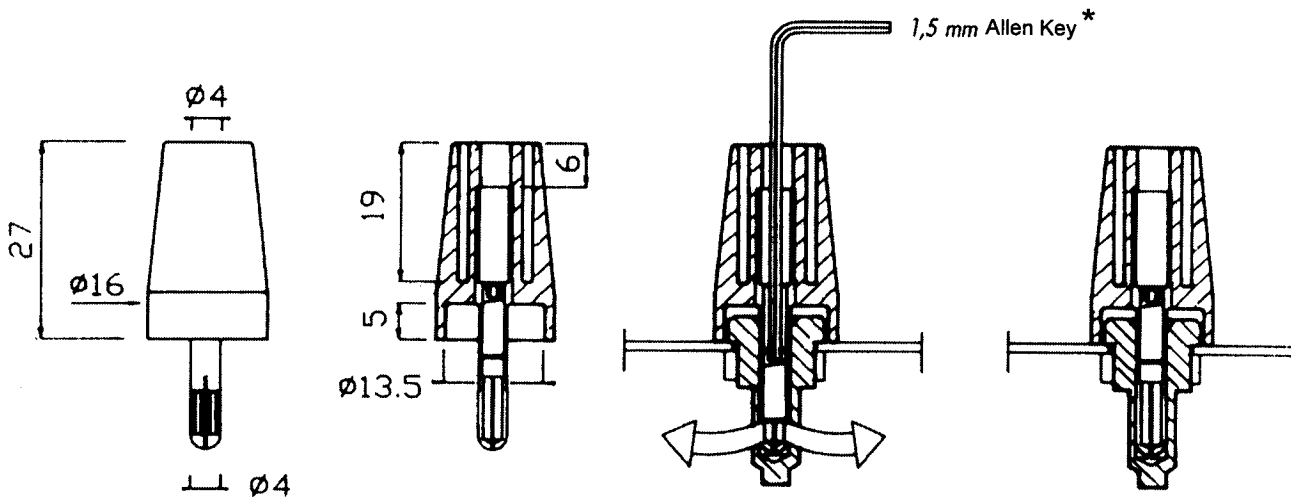
Photograph



Specification

Maximum Voltage	:	1000V
Maximum Current	:	36A
Overall Contact Resistance	:	<5mΩ
Body Insulation Material	:	Polyacetal
Body Contact Material	:	Brass Ni

Technical Drawing



* - Not supplied with adaptors