

5.0mm Female Pluggable Vertical 15A Terminal Blocks

Specifications

Pitch:	5.0mm
Type:	Pluggable
Poles:	2 to 12
Rated Voltage:	See Table
Rated Current:	See Table
Operational Temperature:	-40°C to +105°C
Withstand Voltage:	2500V AC for 60s
Insulation Resistance:	500MΩ at 500V DC
Wire Range:	See Table
Wire Stripping Length:	6-7mm ± 0.5mm
Screw Size:	M3
Max. Torque Value:	0.5Nm
Wave Soldering:	260°C for 5s
Hand Soldering:	350°C for 10s

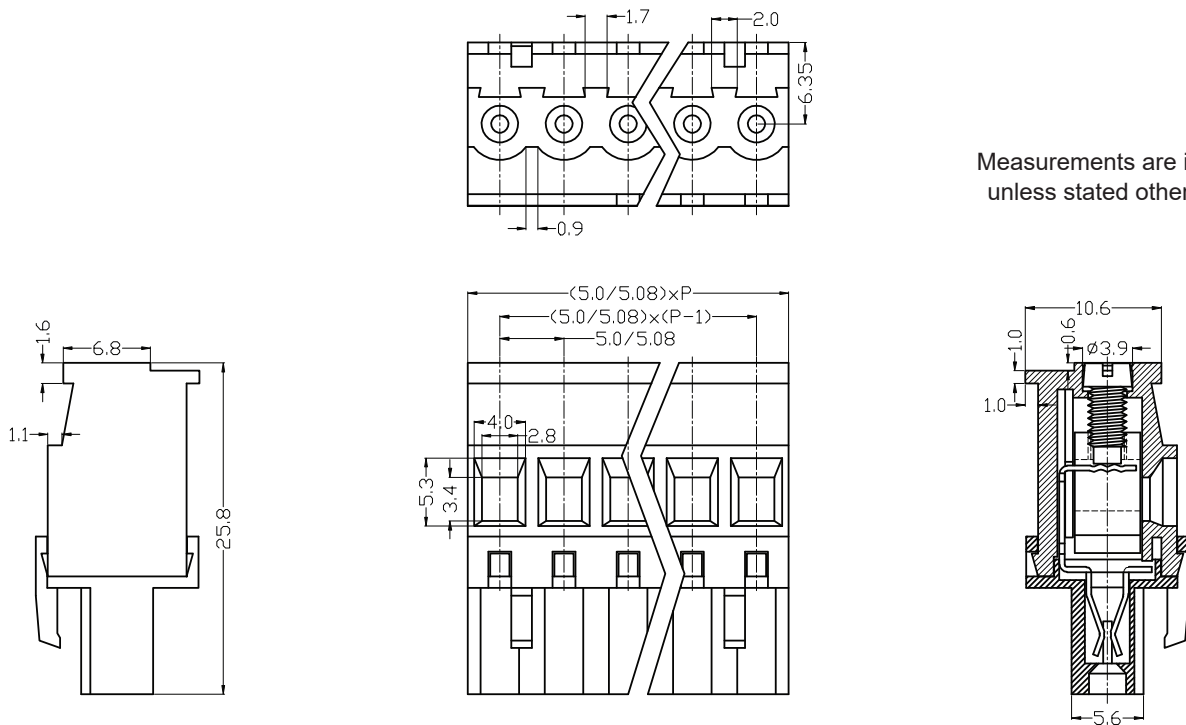


Colour and Materials

Housing Colour:	Green
Housing Material:	PA66
Flame Retardancy:	UL94-V0
Screw:	Zinc-plated steel (A3)
Wire Cage:	Nickel-plated brass
Contact:	Phosphor bronze

Order Code	Poles	Order Code	Poles
21-5350	2	21-2245	8
21-5351	3	21-2246	9
21-5352	4	21-2247	10
21-2235	5	21-2248	11
21-2236	6	21-2249	12
21-2244	7		

Standard	Rated Voltage	Rated Current	Wire Range
UL	300V	15A	28-12AWG (0.08-4mm ²)
IEC	320V	20A	2.5mm ²



Measurements are in mm unless stated otherwise.

For further information on pricing, delivery, and long-term stock agreements please get in touch with your local business development contact. Telephone our main office on **01206 838000** or email Sales@Rapidonline.com.

The information contained in this datasheet is subject to change without notice and replaces all data sheets previously supplied.



SCAN ME