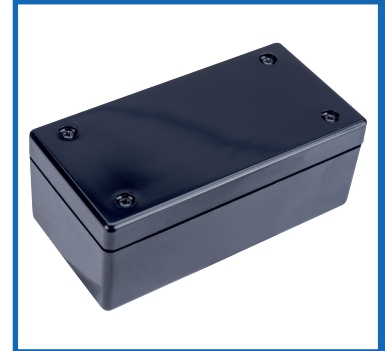


General Purpose ABS Enclosures



DESCRIPTION

This black plastic utility box is durable and offers a professional finish at a low cost.

DISTINCTIVE FEATURES

- Moulded in impact resistant ABS
- Available in black or grey finish
- Screw fixing lids
- Card guides spaced at 20mm centres allow flexibility of components placement or creation of compartments for potting
- Guides accept 1.6mm thick cards

APPLICATIONS

Ideally suited to housing electronic equipment. Card slots can also be used to create potting compartments to protect electronics from adverse environments. Tough ABS construction is suitable for machining.

ABS

RAL
9005

IP42





GENERAL SPECIFICATION

Series	ABS enclosures
Type	General purpose enclosure
External Features	None
Internal Features	Card guides
Screw size	M2.6 x 16 mm flat head
RoHS Compliant	Yes



MATERIALS

Material enclosure	ABS (UL94-HB)
Material lid	ABS (UL94-HB)
Finish	Smooth
Colour	Black
RAL colour code	9005
Screws	Steel, black nickel plated



ENVIRONMENTAL/OPERATING SPECIFICATION

Flame Resistance	UL94-HB
Ingress Protection	IP42
Operating Temperature	-20 to +65°C



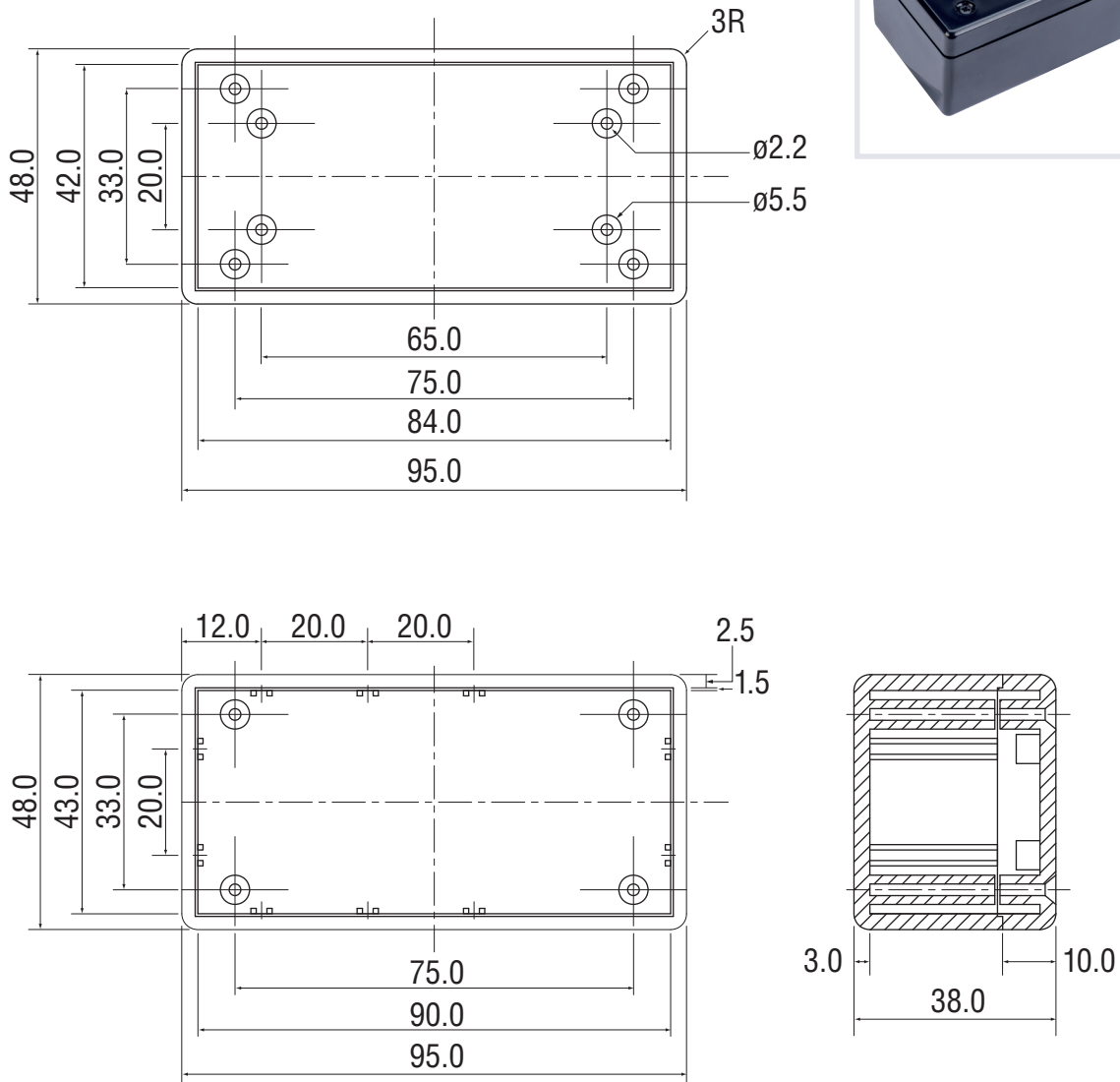
OPTIONS (MOQ may apply)

Colour	Grey version available upon request
--------	-------------------------------------



DIMENSIONS/DRAWINGS

Units	mm - unless stated otherwise
Dimensions	95 x 48 x 38mm
Weight (grams)	9



PART NUMBER TABLE

Part Number	UNSPSC	EAN	Country Of Origin
30-1939	39121324	5053556003006	Taiwan

R-TECH

Tried & trusted technology

Important Notice: This data sheet and its contents (the "Information") belong to Rapid Electronics Limited or are licensed to it. No licence is granted for the use of it other than for information purposes in connection with the products to which it relates. No licence of any intellectual property rights is granted. The Information is subject to change without notice and replaces all data sheets previously supplied. The Information supplied is believed to be accurate but Rapid Electronics Limited assumes no responsibility for its accuracy or completeness, any error in or omission from it or for any use made of it. Users of this data sheet should check for themselves the Information and the suitability of the products for their purpose and not make any assumptions based on information included or omitted. Liability for loss or damage resulting from any reliance on the Information or use of it (including liability resulting from negligence or where Rapid Electronics Limited were aware of the possibility of such loss or damage arising) is excluded. This will not operate to limit or restrict Rapid Electronics Limited's liability for death or personal injury resulting from its negligence.