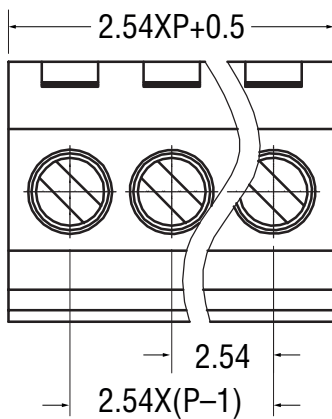
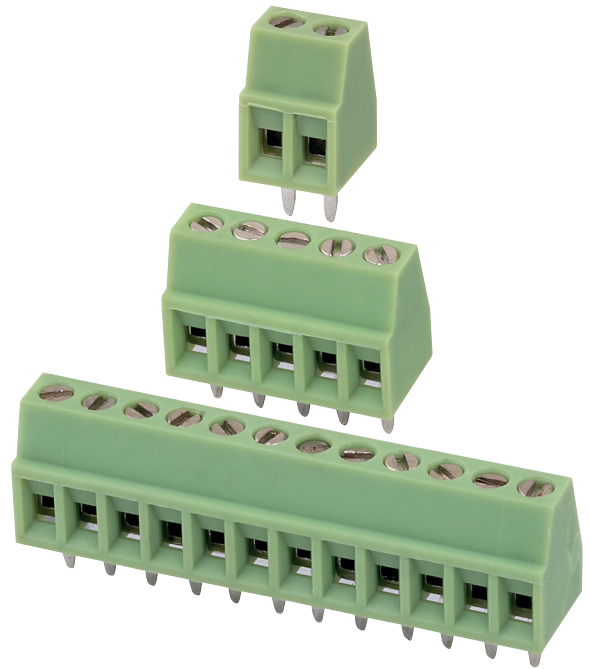
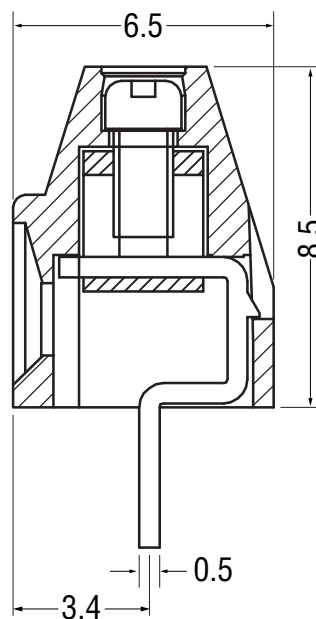
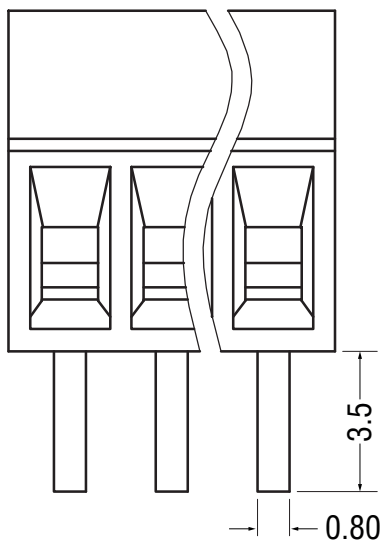


2.54mm 6A Terminal Blocks

Pitch: 2.54mm
 Rated voltage/current: 150V/6A
 Operation temperatures: -40°C to +105°C
 Withstand voltage: 1250V AC for 60s
 Insulation resistance: 500MΩ at 500V DC
 Wire range: 26 to 18AWG 1.0mm²
 Max. torque value: 0.1 Nm



Housing colour: Green
 Screw: Zinc-plated steel (A3)
 Wire cage: Nickel-plated brass
 Pin header: Tin-plated brass
 Wire stripping length: 4.5 ± 0.5mm
 Wave soldering: 260°C for 5s
 Hand soldering: 350°C for 10s



| Order code | Poles |
|----------------|-------|
| 21-3900 | 2 |
| 21-3901 | 3 |
| 21-3902 | 4 |
| 21-3903 | 5 |
| 21-3904 | 6 |
| 21-3905 | 8 |
| 21-3906 | 10 |
| 21-3907 | 12 |