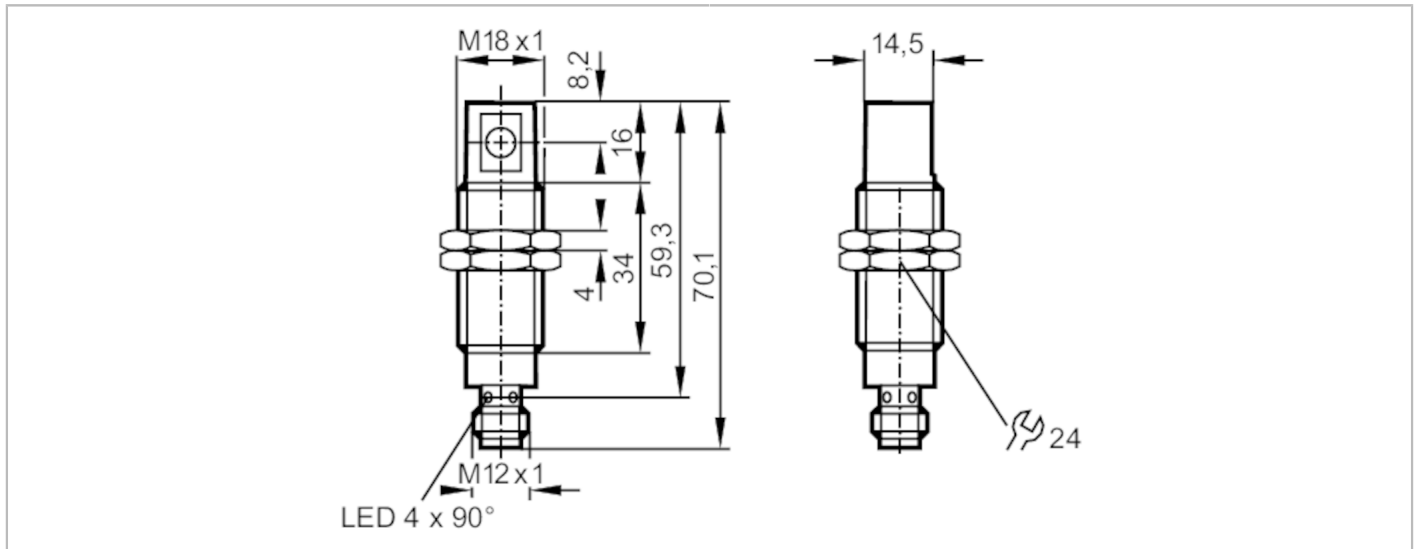


OG5125



Retro-reflective sensor

OGP-HPKG/US/90°



Product characteristics	
Type of light	red light
Housing	threaded type
Dimensions [mm]	M18 x 1 / L = 59.3
Application	
Special feature	polarisation filter
Function principle	Retro-reflective sensor
Electrical data	
Operating voltage [V]	10...30 DC; ("supply class 2" to cULus)
Current consumption [mA]	< 22
Protection class	II
Reverse polarity protection	yes
Type of light	red light
Wave length [nm]	660
Outputs	
Electrical design	PNP
Output function	light-on mode
Max. voltage drop switching output DC [V]	2.5
Permanent current rating of switching output DC [mA]	200
Switching frequency DC [Hz]	500
Short-circuit protection	yes
Type of short-circuit protection	pulsed
Overload protection	yes

OG5125



Retro-reflective sensor

OGP-HPKG/US/90°

Detection zone		
Range referred to prismatic reflector [m]	3; (Prismatic reflector Ø 80 E20005)	
Range adjustable	no	
Max. light spot diameter [mm]	96	
Light spot dimensions refer to	at maximum range	
Polarisation filter available	yes	
Operating conditions		
Ambient temperature [°C]	-25...60	
Protection	IP 68	
Tests / approvals		
EMC	EN 60947-5-2	class B
	EN 55011	
MTTF [years]	859	
Mechanical data		
Weight [g]	59.1	
Housing	threaded type	
Dimensions [mm]	M18 x 1 / L = 59.3	
Thread designation	M18 x 1	
Materials	stainless steel; ABS	
Lens material	PMMA	
Displays / operating elements		
Display	switching status	1 x LED, yellow
	operation	1 x LED, green
Accessories		
Accessories (supplied)	Nuts: 2 x lock washers: 2 x	
Remarks		
Pack quantity	1 pcs.	
Electrical connection		
Connector: 1 x M12		

OG5125



Retro-reflective sensor

OGP-HPKG/US/90°

Connection

