



**Part no.: 50133013**  
**MSI-SR-CM32-03**  
**Safety relay**



Figure can vary

## Contents

- Technical data
- Dimensioned drawings
- Electrical connection
- Circuit diagrams
- Notes

## Technical data

<b>Basic data</b>	
Series	MSI-SR-CM32
Application	Extension unit for base devices in safety applications
<b>Functions</b>	
Functions	Monitoring of proximity switches
Restart	Automatic
<b>Characteristic parameters</b>	
SIL	3 , IEC 61508
SILCL	3 , IEC/EN 62061
Performance Level (PL)	e , EN ISO 13849-1
MTTF <sub>d</sub>	74 years , EN ISO 13849-1
PFH <sub>D</sub>	3,5E-10 per hour
Mission time T <sub>M</sub>	20 years , EN ISO 13849-1
Category	4 , EN ISO 13849
B10 <sub>d</sub> at DC13 (inductive load)	300,000 number of cycles , (5 A, 230 V), 700,000 (1 A, 230 V)
B10 <sub>d</sub> at AC15 (inductive load)	200,000 number of cycles , (5 A, 230 V), 380,000 (1 A, 230 V)
<b>Electrical data</b>	
<b>Supply circuit</b>	
Nominal voltage U <sub>N</sub>	24 V DC
Nominal frequency	50 ... 60 Hz
Operating voltage	0.85 ... 1.1 x U <sub>N</sub>
Rated power DC	1.2 W
Galvanic isolation between supply and control circuit	No
<b>Output circuit</b>	
Number of outputs, safety-oriented, undelayed, contact-based	3 Piece(s)
Number of outputs, signaling function, undelayed, contact-based	2 Piece(s)
Release current paths	NO
Signaling current paths	NC
Contact material	Ag alloy, gold-plated
Usage category AC-15 (NO contact)	Ue 230V, Ie 3A
Usage category DC-13 (NO contact)	Ue 24V, Ie 2,5A
Short circuit protection (NO contact)	gG class safety fuse 6A, melting integral
Nominal switching voltage, release current paths AC	230 V
Nominal switching voltage, signaling current paths AC	230 V
Max. thermal continuous current I <sub>th</sub> , release current paths	6 A
Max. thermal continuous current I <sub>th</sub> , signaling current paths	2 A
Max. total current I <sup>2</sup> of all current paths	9 A <sup>2</sup>
Mechanical life time	100,000,000 switching cycles

## Part no.: 50133013 – MSI-SR-CM32-03 – Safety relay

### Control circuit

Input current at the control inputs (safety circuit/reset circuit)	50 mA
Max. peak current at the control inputs (safety circuit/reset circuit)	500 mA
Max. cable resistance, per channel	$\leq (5 + (1.6 \times U_B / U_N - 1) \times 100) \Omega$
Response time (manual start $t_{A1}$ )	40 ms
Test pulse time permitted $t_{TP}$	1 ms
Release time $t_R$	20 ms
Recovery time $t_W$	40 ms

### Connection

Number of connections	1 Piece(s)
-----------------------	------------

#### Connection 1

Type of connection	Terminal
Function	Signal IN Signal OUT Voltage supply
Type of terminal	Spring-cage terminal
No. of pins	14 -pin

#### Cable properties

Connection cross sections	2 x 0.2 to 1.5 mm <sup>2</sup> , wire 2 x 0.2 to 1.5 mm <sup>2</sup> , wire 2 x 0.25 to 1.5 mm <sup>2</sup> , wire with wire-end sleeve
---------------------------	---

### Mechanical data

Dimension (W x H x L)	22.5 mm x 107 mm x 114 mm
Net weight	210 g
Housing color	Gray
Type of fastening	Snap-on mounting

### Certifications

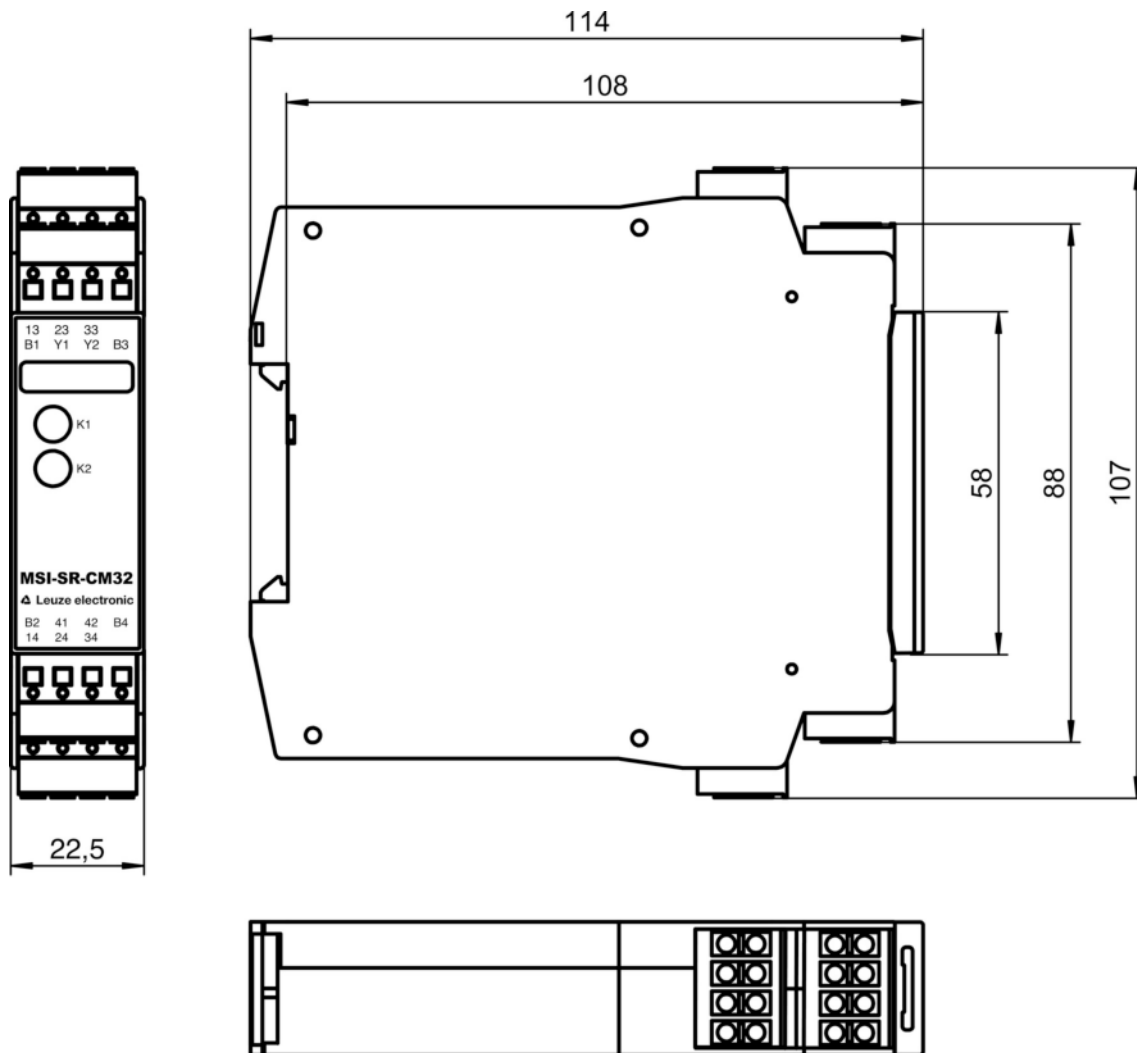
Certifications	c UL US TÜV Rheinland
----------------	--------------------------

### Classification

Customs tariff number	85364190
eCl@ss 8.0	27371819
eCl@ss 9.0	27371819
ETIM 5.0	EC001449
ETIM 6.0	EC001449

## Dimensioned drawings

All dimensions in millimeters



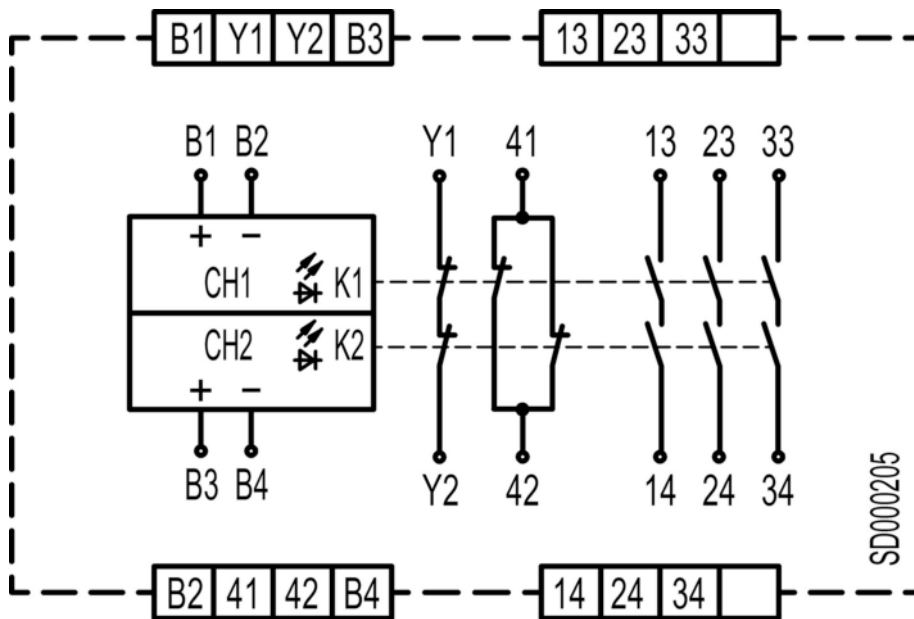
## Electrical connection

Connection 1	
Type of connection	Terminal
Function	Signal IN Signal OUT Voltage supply
Type of terminal	Spring-cage terminal
No. of pins	14 -pin

Terminal	Assignment
13	Release current path 1 (NO contact)
14	Release current path 1 (NO contact)
23	Release current path 2 (NO contact)
24	Release current path 2 (NO contact)
33	Release current path 3 (NO contact)
34	Release current path 3 (NO contact)
41	Signaling current path (NC contact)
42	Signaling current path (NC contact)
B1	Control circuit 1

Terminal	Assignment
B2	Control circuit 1
B3	Control circuit 2
B4	Control circuit 2
Y1	Feedback path (NC contact) for the coupling to the base device
Y2	Feedback path (NC contact) for the coupling to the base device

## Circuit diagrams



## Notes

### Observe intended use!

- The product may only be put into operation by competent persons.
- Only use the product in accordance with its intended use.