

MPL POWER SUPPLY 3-PHASE, SMOOTHED

IN: 400VAC+/- 5% OUT: 24V/15ADC

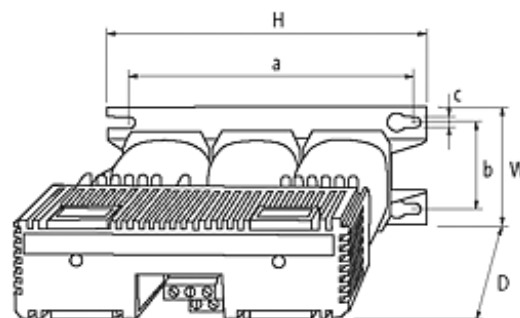
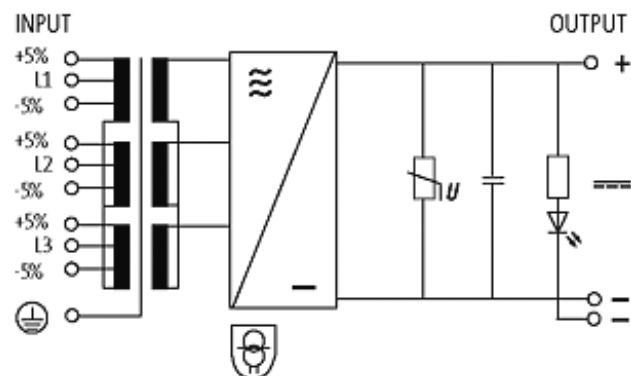
Current: 15 A

Output rating: 360 W

This power supply units meet the (EN 61000-3-2) standard for harmonic current.

[Link to Product](#)

Illustration



Product may differ from image

Product may differ from image

Approvals



Input

Input voltage	3 × 400 V AC ±5 %
Input current	0.8 A (3 × 400 V AC)
Input fuse (external)	1 A (T)
Frequency	50...60 Hz

General data

Standards	(EN 61558-2-6), (EN 62041 category I), (EN 55011 B), (EN 61000-3-2)
Temperature range	-20...+55 °C, for any mounting position at vertical wall, no condensation
Mounting method	Key-hole mounting
Efficiency	77 %
Dimensions H × W × D	220×82×208 mm
Fixing centers a × b × c	195×60×8 mm

Output

Output voltage	24 V DC (SELV)
Output current	max. 15 A
Ripple	max. 2 %rms
Output fuse external	15 A (T)
Output filter	LED, VDR and smoothing capacitor

Commercial data

country of origin	CZ
customs tariff number	85044090
minimum order quantity	1