

CYLINDRICAL FUSE-HOLDER 10X38 1000V 30A 1-POLE FOR PHOTOVOLTAIC-APPLICATION



Figure similar

Model		
product brand name		SENTRON
General technical data		
Number of poles		1
Mechanical Design		
Height	mm	85
Width	mm	18
Depth	mm	65
Certificates		
Equipment marking		
<ul style="list-style-type: none"> <li>• acc. to DIN EN 61346-2</li> <li>• acc. to DIN EN 81346-2</li> </ul>		F F



CCC



CSA



GOST



UL

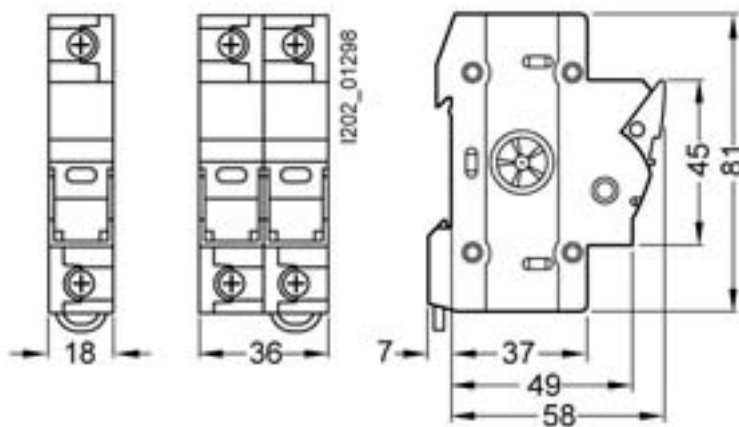


EG-Konf.

## other

[other](#)

## Further information

**Information- and Downloadcenter (Catalogs, Brochures,...)**<http://www.siemens.com/lowvoltage/catalogs>**Industry Mall (Online ordering system)**<https://eb.automation.siemens.com/mall/en/WW/Catalog/Product/3NW70134>**Service&Support (Manuals, Certificates, Characteristics, FAQs,...)**<http://support.automation.siemens.com/WW/view/en/3NW70134/all>**Image database (product images, 2D dimension drawings, 3D models, device circuit diagrams, ...)**[http://www.automation.siemens.com/bilddb/cax\\_en.aspx?mlfb=3NW70134](http://www.automation.siemens.com/bilddb/cax_en.aspx?mlfb=3NW70134)**CAX-Online-Generator**<http://www.siemens.com/cax>**Tender specifications**<http://ausschreibungstexte.siemens.com/tiplv>

last modified:

11.03.2015