

# Barcode Sweep Raster Scanner

## FIS-0870-1106 LASER

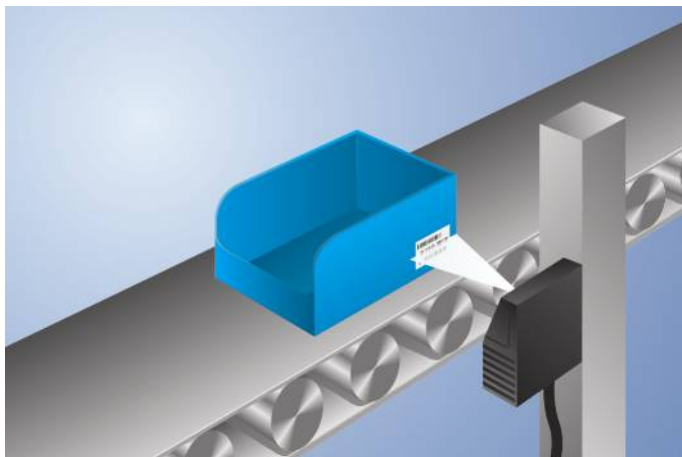
Part Number



- Ethernet TCP/IP and EtherNet/IP™
- Integrated code reconstruction
- LED scanning rate indicator
- Maximum oscillation rate: 80 oscillations/second
- Teach-in

This sweep raster scanner is suitable for scanning surface areas. The adjustable path-folding angle of the oscillating mirror allows for ideal adaptation to your application.

The following code types can be processed:  
Code39, Interleaved 2 of 5, Code128, Codabar, UPC, PDF417, Code93, AIAG, UCC/EAN-128, Micro PDF, Pharmacode, GS1 Databar.

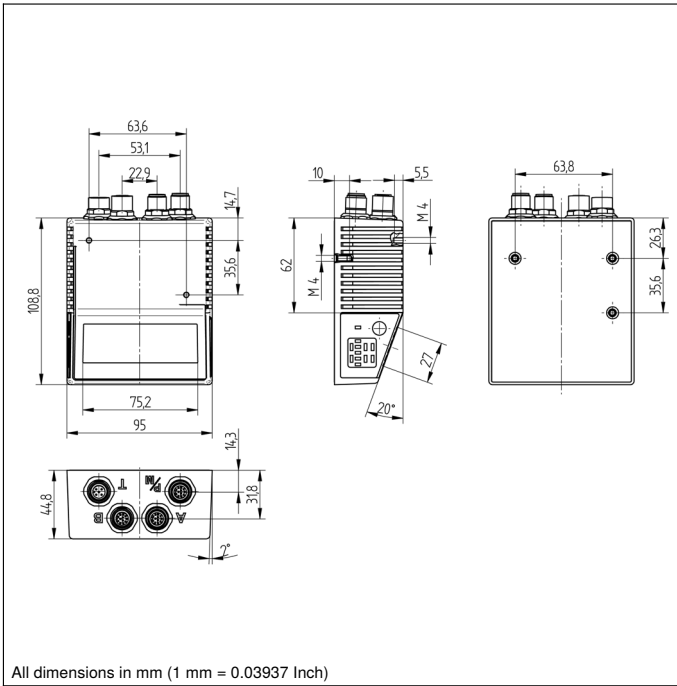


### Technical Data

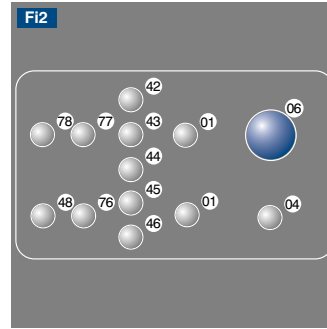
Optical Data	
Barcode Density	Medium density
Read Range	25...304 mm
Light Source	Laser (red)
Wavelength	655 nm
Service Life (T = +25 °C)	50000 h
Laser Class (EN 60825-1)	2
Max. Ambient Light	4840 Lux
Opening Angle	60 °
Adjustable Scan Width	yes
Barcode Printing Contrast	> 25 %
Electrical Data	
Supply Voltage	10...28 V DC
Power Consumption	6480 mW
Scan Rate	300...1400 scans/sec
Temperature Range	0...50 °C
Switching Output	Optoisolator
Number of Switching Outputs	3
Switching Output/Switching Current	100 mA
Reverse Polarity Protection	yes
Network Possibilities	Ethernet
Interface	RS-232/422/485
Baud Rate	< 100 MBd
Trigger Input	Optoisolator
Signal Input	Optoisolator
Number of Signal Inputs	3
Acoustic signal	yes
Protection Class	III
FDA Accession Number	8310057-012
Mechanical Data	
Housing Material	Aluminum
Weight	453 g
Degree of Protection	IP65
Connection	M12 × 1; 12-pin
Type of Connection Ethernet	M12 × 1; 8-pin
PNP NO/NC switchable	●
NPN NO/NC switchable	●
Connection Table No.	<b>47</b>
Control Panel No.	<b>Fi2</b>
Suitable Connection Equipment No.	<b>12   13</b>
Suitable Mounting Technology No.	<b>440</b>

### Complementary Products

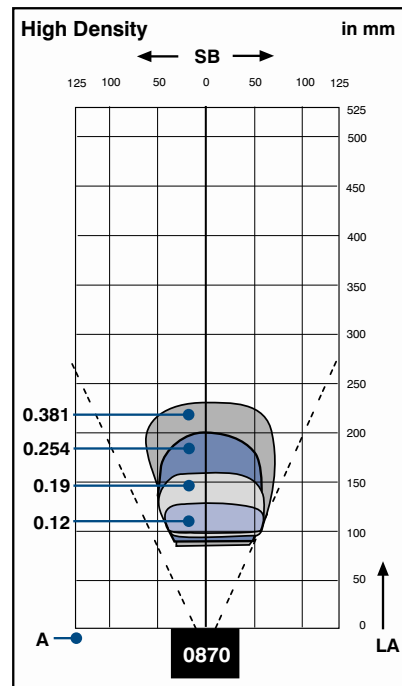
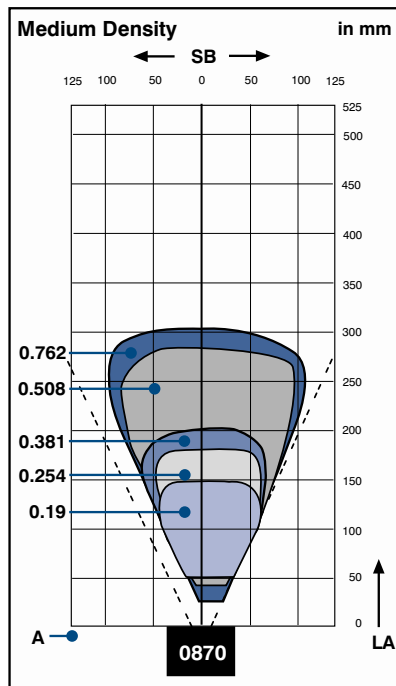
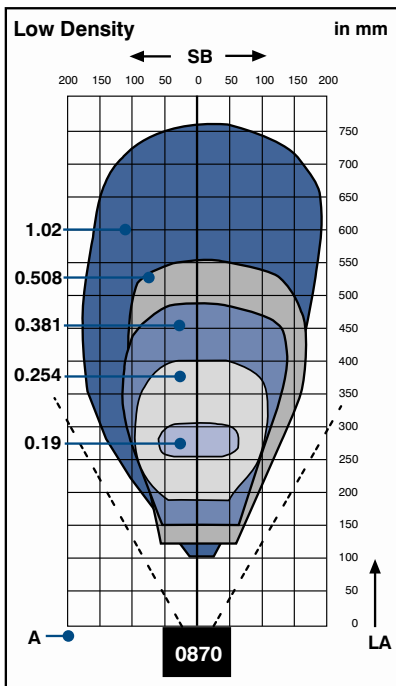
Connection Box ZAA12NN01
Connection Cable ZAV88Rx01
Connection Cable ZCYV00x
Fieldbus Gateway ZAGxxxN01, EPGG001
Power Supply Unit NT10
Software



### Ctrl. Panel



- 01 = Switching Status Indicator
- 04 = Function Indicator
- 06 = Teach Button
- 42 = Reading Performance 100 %/Good Read
- 43 = Reading Performance 80 %/Status/Trigger
- 44 = Reading Performance 60 %
- 45 = Reading Performance 40 %
- 46 = Reading Performance 20 %
- 48 = Network Status
- 76 = Network Tx enabled
- 77 = Network Rx enabled
- 78 = Module status



SB = Scan Width    A = Resolution    LA = Read Range

### Raster Configuration

Raster Sweep Angle	0°...10°	11°...20°	21°...34°
Sweeps/sec	80	60	40

