

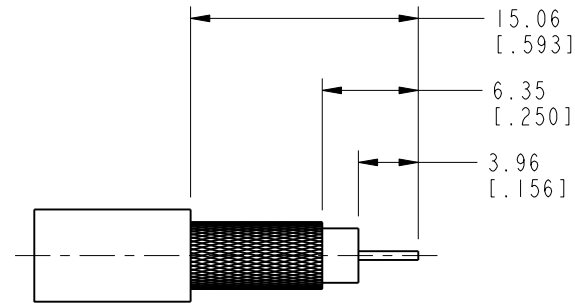
NOTES:

1. MATERIALS AND FINISHES:
 BODY - BRASS, NICKEL PLATING.
 CONTACT - BRASS, GOLD PLATING.
 INSULATOR - PTFE, NATURAL
2. ELECTRICAL:
 A. IMPEDANCE: 75 OHM
3. MECHANICAL:
 A. DURABILITY: 500 CYCLES MIN.
 B. TEMPERATURE RANGE: -65° C TO +165° C
4. WHEN CRIMPING CONTACT PIN TO CABLE, CRIMP WITH AMPHENOL TOOL 227-944 (M22520/5-01) AND DIE SET 227-1221-32, CAVITY 'B' (OR CTL-2, .068 HEX).
5. WHEN CRIMPING FERRULE TO CABLE, CRIMP WITH AMPHENOL TOOL 227-944 (M22520/5-01) AND DIE SET 227-1221-32, CAVITY 'A' (OR CTL-2, .324 HEX).
6. ASTERISK (*) INDICATES CABLE ENTRY DIM'S.
7. USE WITH BELDEN 8281, 8281B, 8281F, 9141, 9231 CABLES, AND AT&T 728, CLARK CV752 CABLES.
8. PACKAGE CONNECTOR IN BAG.

THIRD ANGLE PROJ.

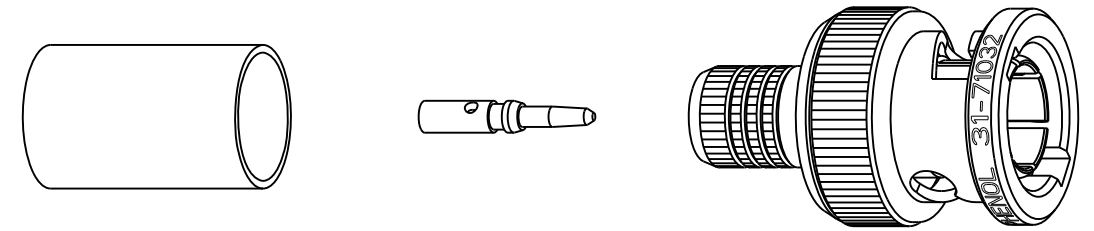
REVISIONS

REV	DESCRIPTION	DATE	ECO	APPR
--	RELEASE TO MFG.	----	----	----
F	SPRING WAS CHANGED	09-Aug-12	49157	SH

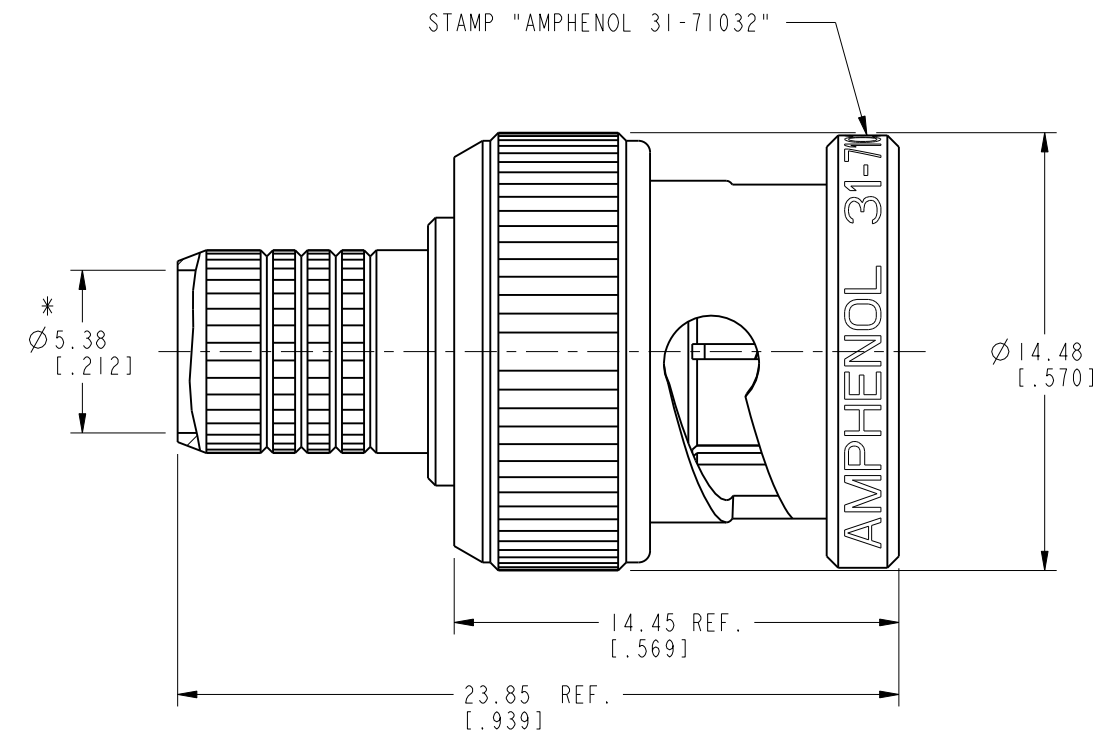
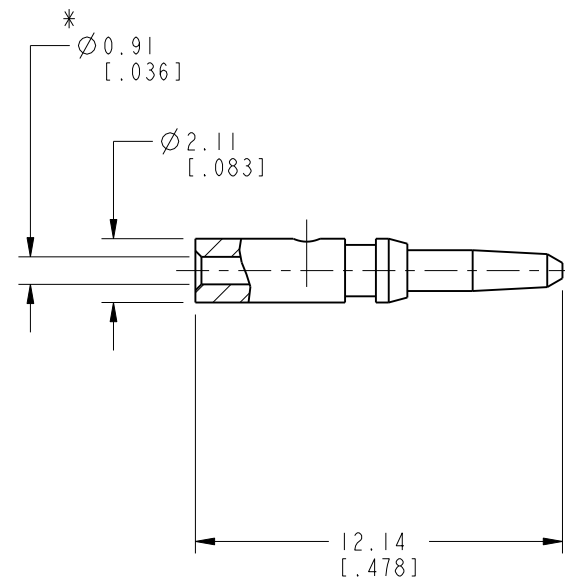
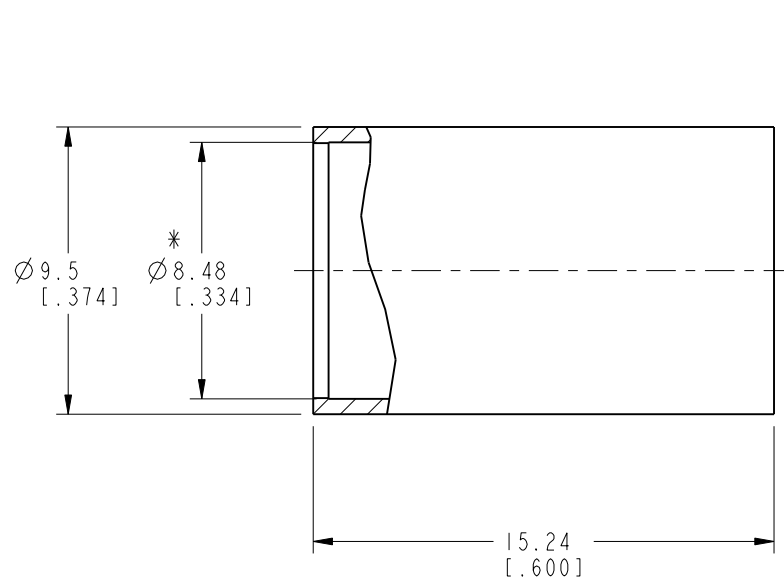


SCALE 2.000

RECOMMENDED CABLE STRIPPING DIMENSIONS



SCALE 2.000



CUSTOMER OUTLINE DRAWING

ALL OTHER SHEETS ARE FOR INTERNAL USE ONLY

UNLESS OTHERWISE SPECIFIED, DIMENSIONS ARE IN METRIC AND TOLERANCES ARE:
 <0.5mm ±0.05mm 0.5 - 6mm ±0.1mm 6 - 30mm ±0.2mm 30 - 120mm ±0.3mm ANGLES ±1°

NOTICE - These drawings, specifications, or other data (1) are, and remain the property of Amphenol corp. (2) must be returned upon request; and (3) are confidential and not to be disclosed to any person other than those to whom they are given by Amphenol Corp. the finishing of these drawings, specifications, or other data by Amphenol Corp., or to any other person to anyone for any purpose is not to be regarded by implication or otherwise in any manner licensing, granting rights to permitting such holder or any other person to manufacture, use or sell any product, process or design, patented or otherwise, that may in any way be related to or disclosed by said drawings, specifications, or other data.

MATERIAL	DRAWN T. DENG	DATE 09-Aug-12	TITLE BNC PLUG (75 OHM) FOR RG-59 DOUBLE BRAIDED TYPE CABLE	Amphenol RF www.amphenolrf.com	
	ENGINEER D. ROYCE	DATE 01-Aug-90			
REFERENCE EAR 961834-0 EAR 964772-0 CONFIGURATION LEVEL:	APPROVED S. HSIEH	DATE 09-Aug-12	SCALE: 4.0:1.0	SHEET 2 OF 2	DRAWING NO. 31-71032
	FINISH	CAD FILE	DWG SIZE B	REV F	ITEM NO. 31-71032 PART NO. 31-71032