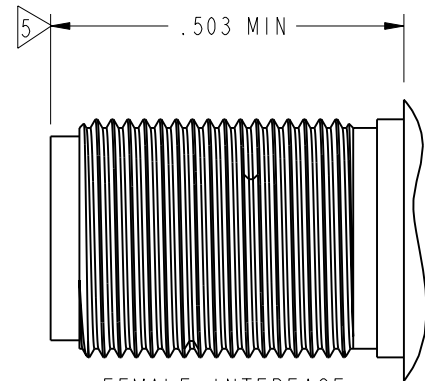


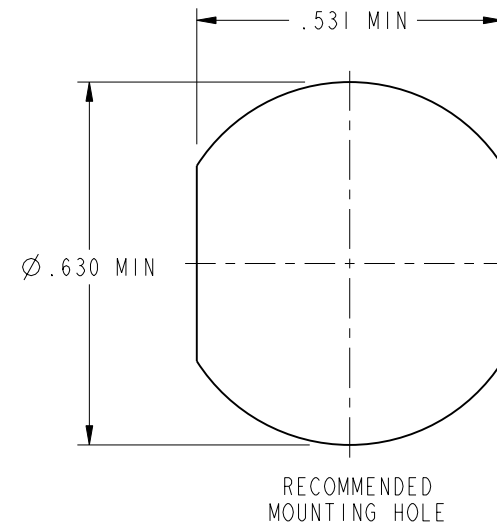
NOTES:

1. MATERIALS AND FINISHES:
 BODY - BRASS, WHITE BRONZE PLATING (.000080 THICK)
 CONTACT - BeCu, GOLD PLATING (.000050 THICK)
 INSULATOR - PTFE
 2. ELECTRICAL:
 A. IMPEDANCE: 50 OHM
 B. FREQUENCY RANGE: DC - 11 GHz
 C. VSWR(RETURN LOSS): 1.065 (30.040 dB), MAX. DC-3GHz
 1.15 (23.127 dB), MAX. 3-11GHz)
 3. MECHANICAL:
 A. DURABILITY: 500 CYCLES MIN.
 B. TEMPERATURE RANGE: -65° C TO +100° C
 C. .03" MIN AXIAL MISALIGNMENT
 D. .017" MIN RADIAL MISALIGNMENT
 4. PACKAGING:
 A. QUANTITY: SINGLE PACK
 B. MARKING: BAG TO BE MARKED
 "AMPHENOL, 82-6296, AND DATE CODE"
5. MALE INTERFACE MATES WITH FEMALE N PER MIL-STD-348A EXCEPT FOR DIMENSION SHOWN.

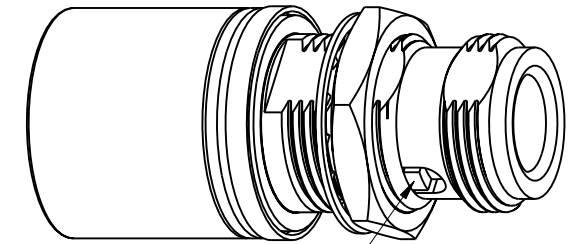
82-6296		REVISIONS			
DRAWING NO.	REV	DESCRIPTION	DATE	ECO	APPR
THIRD ANGLE PROJ.	A	RELEASE TO MFG.	7/31/02	44140	



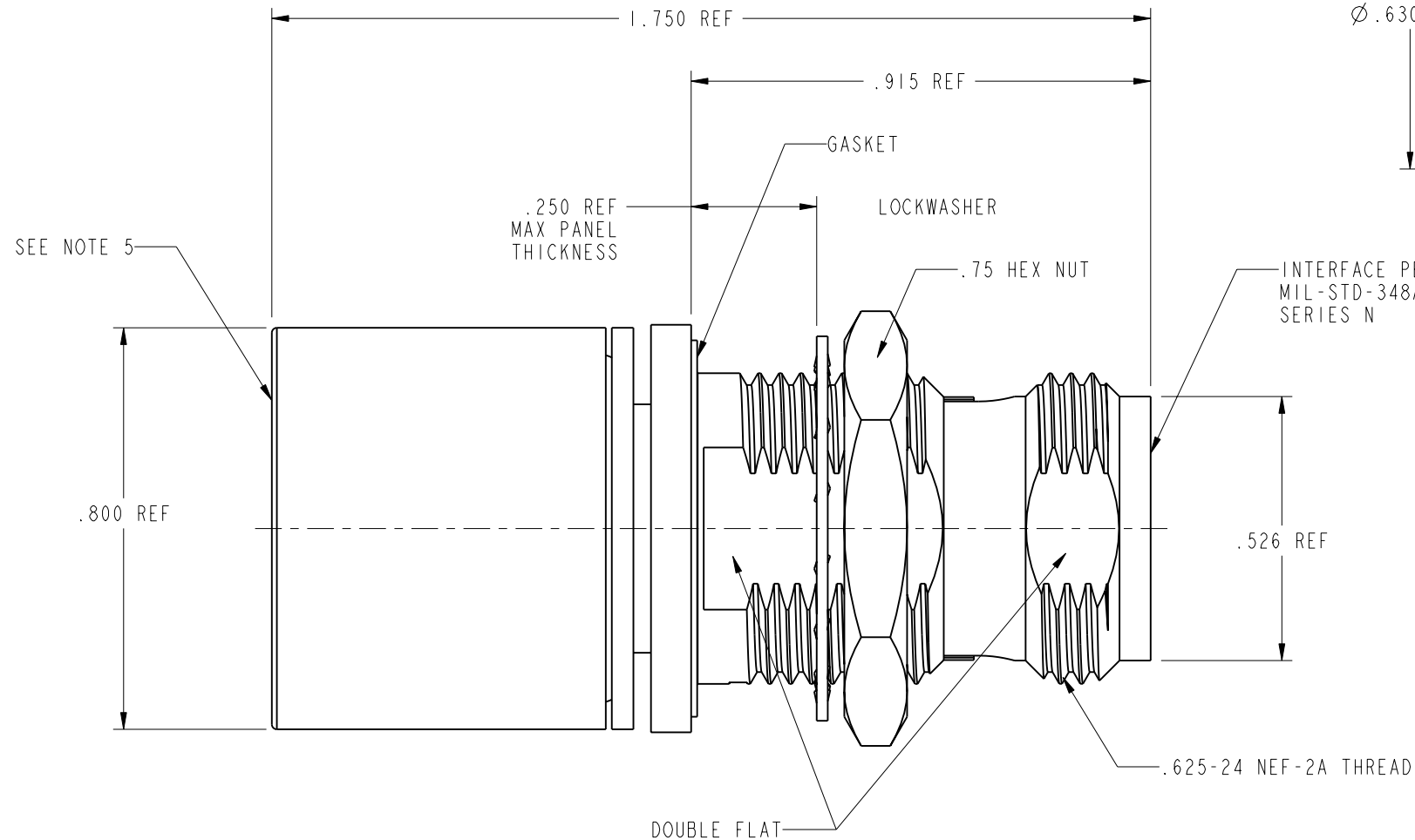
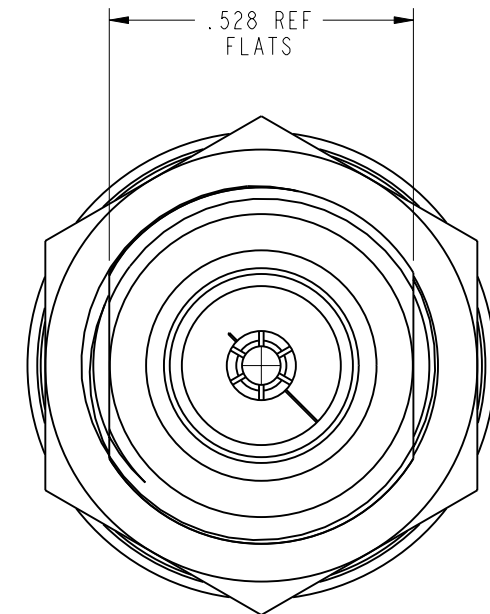
FEMALE INTERFACE
 DIMENSION
 SEE NOTE 5



RECOMMENDED
 MOUNTING HOLE



ANTI-ROTATION
 FEATURE
 SCALE 1.500



CUSTOMER OUTLINE DRAWING
 ALL OTHER SHEETS ARE FOR INTERNAL USE ONLY

UNLESS OTHERWISE SPECIFIED, DIMENSIONS ARE IN INCHES AND TOLERANCES ARE: 2 PLACE DECIMAL ±.015 (0,381 mm) 3 PLACE DECIMAL ±.005 (0,127 mm) ANGLES ± 1°	MATERIAL	DRAWN M. HOYACK	DATE 30-Jul-02	TITLE TYPE N PUSH ON MALE TO BULKHEAD FEED THROUGH FEMALE		Amphenol Amphenol Corporation Communication and Network Products Division Danbury, CT U.S.A. 06810	
	NOTICE - These drawings, specifications, or other data (1) are, and remain the property of Amphenol Corp. (2) must be returned upon request; and (3) are confidential and not to be disclosed to any person other than those to whom they are given by Amphenol Corp. The furnishing of these drawings, specifications, or other data by Amphenol Corp., or to any other person to anyone for any purpose is not to be regarded by implication or otherwise in any manner licensing, granting rights or permitting such holder or any other person to manufacture, use or sell any product, process or design, patented or otherwise, that may in any way be related to or disclosed by said drawings, specifications, or other data.	REFERENCE GEN# ASSY4_N EAR# 445 611X-4019-200	ENGINEER M. HOYACK			DATE 11-Dec-01	APPROVED O. BARTHELMS
		CAD FILE I:\N\82-6296	CODE ID 74868	DWG SIZE B	DRAWING NO. 82-6296	REV A	