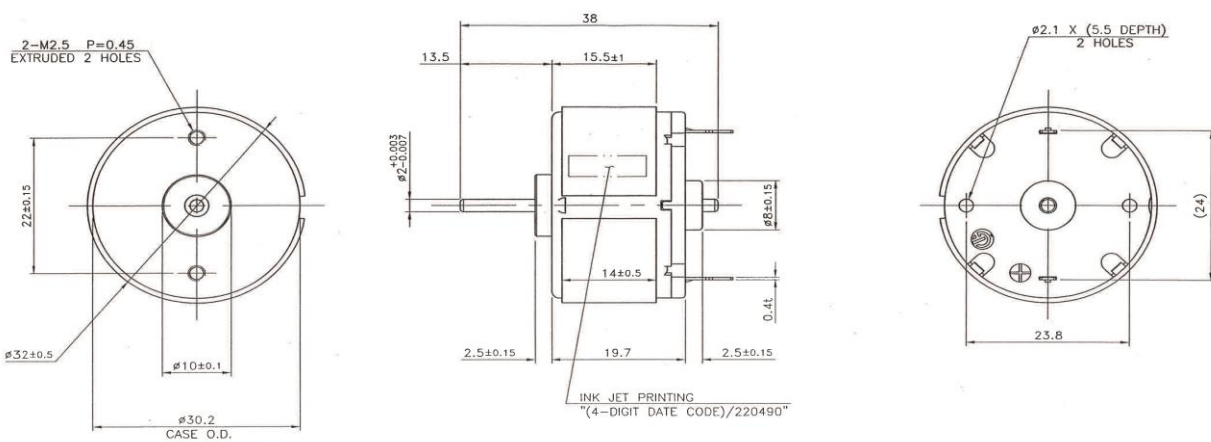
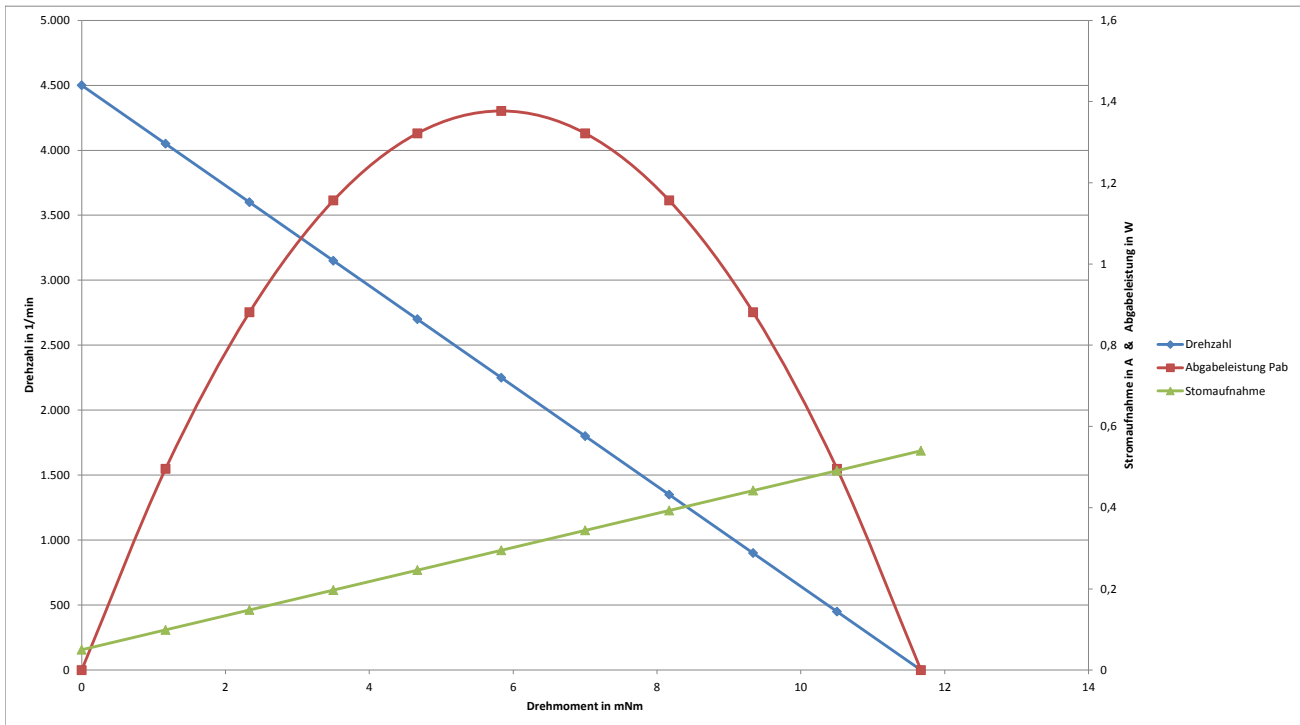


MODEL	VOLTAGE		NO LOAD		AT MAXIMUM EFFICIENCY			STARTING		max. OUTPUT POWER W	POLES	CAPACITOR	BRUSHES	
	Operating Range	Nominal	Speed	Current	Speed	Current	Torque	Output Power	Current					Torque
	VDC	VDC	rpm	A	rpm	A	mNm	W	A					mNm
3020-495/RF-510T	6,0-15,0	12,0	4.500	0,05	3.500	0,14	2,50	0,90	0,54	11,67	3	none	carbon	



Irrtum und Druckfehler vorbehalten / Errors and Omissions excepted