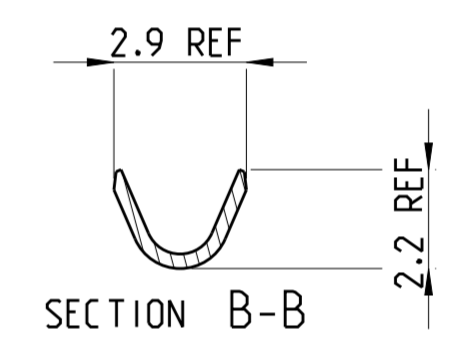
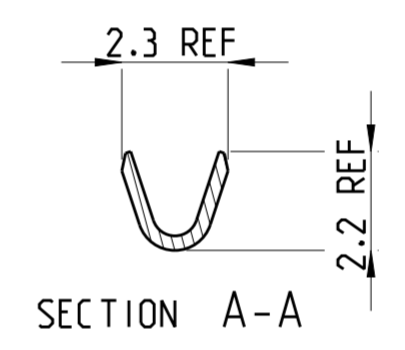
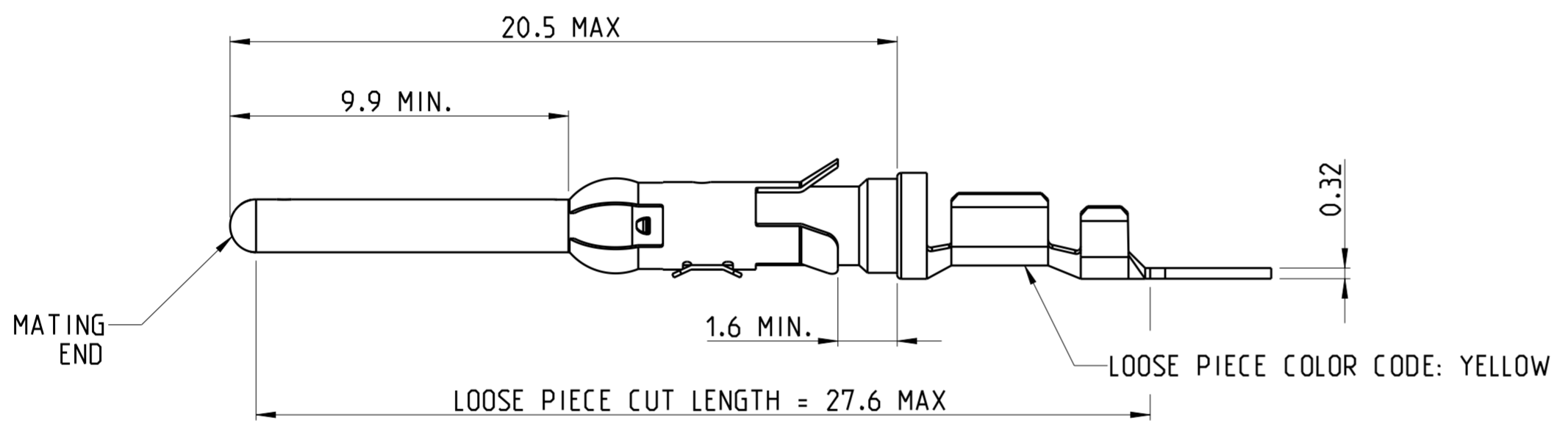
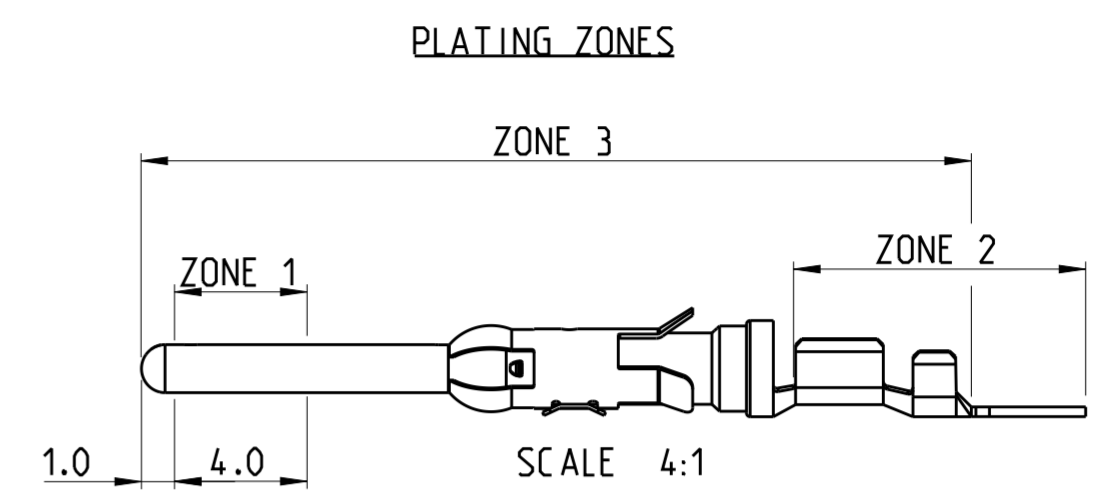
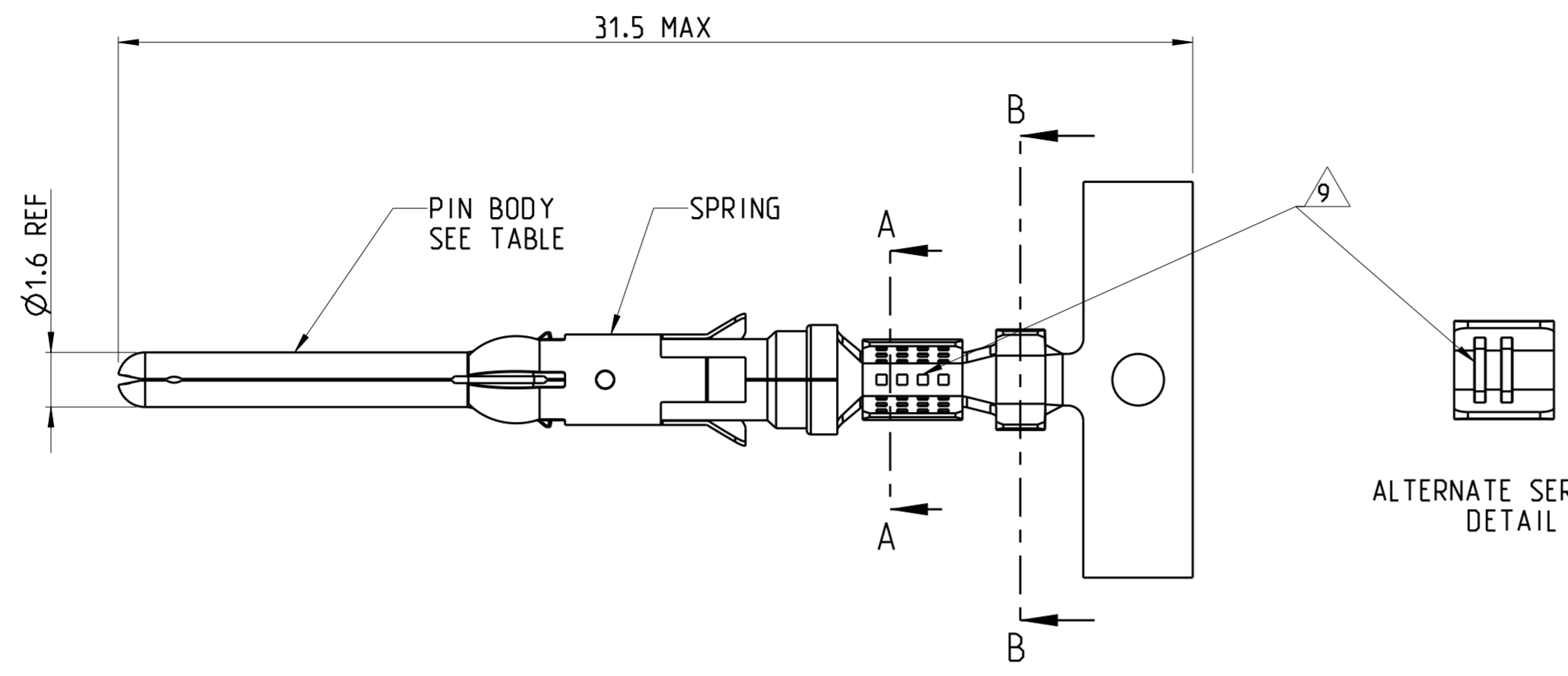


THIS DRAWING IS UNPUBLISHED. RELEASED FOR PUBLICATION 2011
 (C) COPYRIGHT 2011 ALL RIGHTS RESERVED.

LOC	DIST	REVISIONS					
		P	LTR	DESCRIPTION	DATE	DWN	APVD
B	-	AD1		COLOR CODE DETAILS ADDED	09JAN2014	TJ	JK
		AD2		ADDITION OF NOTE 12. TEXT "REF" DIM 2.3 & 2.9 IN ZONE C1 & C2. DIM 27.5 CHANGED TO 27.6 MAX IN ZONE B3	21JULY2015	TJ	PS
		AD3		PN 163085-4, 163085-5 & 2-163085-3 OBSOLETE	03OCT2017	TJ	NG



NOTES:

- 1. 1.27 MICRON MIN NICKEL PLATE OVER ZONE 3.
0.76 MICRON MIN PRECIOUS METAL PLATE OVER ZONE 1.
1 MICRON MIN TIN PLATE OVER ZONE 2.
CONFORMS TO THE REQUIREMENTS OF TE CONNECTIVITY PRODUCT SPEC 108-10042
BASED ON EIA/ECA-364-1000.01A (CONTROLLED ENVIRONMENT APPLICATIONS)
- 2. 1.27 MICRON MIN NICKEL PLATE OVER ZONE 3.
0.76 MICRON MIN PRECIOUS METAL PLATE OVER ZONE 1.
0.076 MICRON MIN GOLD FLASH PLATE OVER THE REMAINDER OF ZONE 3.
CONFORMS TO THE REQUIREMENTS OF TE CONNECTIVITY PRODUCT SPEC 108-10042
BASED ON EIA/ECA-364-1000.01A (CONTROLLED ENVIRONMENT APPLICATIONS)
- 3. 1.54 - 2.54 MICRON SILVER PLATE OVER ZONE 3.
0.76 MICRON MIN NICKEL PLATE OVER ZONE 3.
- 4. 1.27 MICRON MIN NICKEL PLATE OVER ZONE 3.
0.76 MICRON MIN GOLD PLATE OVER ZONE 1.
0.076 MICRON MIN GOLDFLASH PLATE OVER THE REMAINDER OF ZONE 3.
- 5. 1.27 MICRON MIN NICKEL PLATE OVER ZONE 3.
0.76 MICRON MIN GOLD PLATE OVER ZONE 1.
1 MICRON MIN TIN PLATE OVER ZONE 2.
- 6. HOT-DIPPED PRETIN
- 7. 1.27 MICRONS MIN NICKEL PLATE OVER ZONE 3.
1 - 3 MICRON ELECTRO-TIN PLATE OVER ZONE 3
- 8. 0.76 MICRON MIN NICKEL PLATE OVER ZONE 3 PER QQ-N-290
1.5 - 2.54 MICRON SILVER PLATE OVER ZONE 3.
- 9. SERRATIONS CAN BE MULTILOCK OR TWO SLOTS
- 10. WIRE RANGE: 0.20 - 0.50 mm² (24-20 AWG)
- 11. INSULATION RANGE: 1.1 - 1.8 mm (.043-.070) DIA
- 12. OMISSION OF 6 CONTACTS MAX PER REEL OF 5000PCS

REELING DIRECTION	FINISH	SPRING MATERIAL	PIN BODY	LOOSE PIECE	PART NUMBER
C	2	STAINLESS STEEL	BRASS		5-163085-2
AS DIRECTION 'A' BUT BARRELS DOWN	1	STAINLESS STEEL	BRASS	1-163082-0	1-163085-1
A	7	STAINLESS STEEL	BRASS	163082-1	163085-9
A	2	STAINLESS STEEL	BRASS	163082-2	163085-8
B	2	STAINLESS STEEL	BRASS		163085-2
B	7	STAINLESS STEEL	BRASS		163085-1

THIS DRAWING IS A CONTROLLED DOCUMENT.

DIMENSIONS: mm

TOLERANCES UNLESS OTHERWISE SPECIFIED:

0 PLC	±0.5
1 PLC	±0.25
2 PLC	±0.15
3 PLC	±0.15
4 PLC	±
ANGLES	±2°
FINISH	

MATERIAL: SEE TABLE

REELING: WIRE BARRELS FACE UP

APVD: D PENNINGTON 11/06/12

PRODUCT SPEC: 108-10042

APPLICATION SPEC: 114-10004

WEIGHT: -

CUSTOMER DRAWING

DWN: J. BRIGHT 26/10/11

CHK: M. GREENER 26/10/11

NAME: TYPE III+, SIZE 16, PIN ASS'Y

24-20 AWG, 1.1-1.8mm DIA INSULATION

SIZE: A2

CAGE CODE: 00779

DRAWING NO: C-163085

RESTRICTED TO: -

SCALE: NTS

SHEET: 1 OF 1

REV: AD3