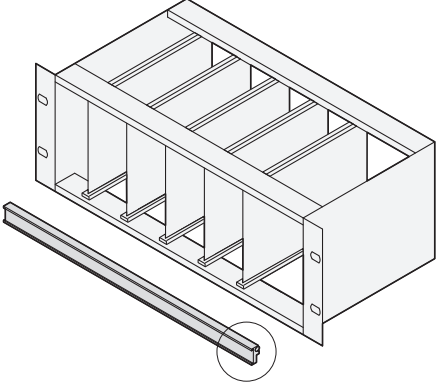
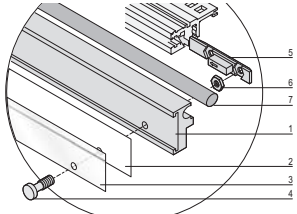


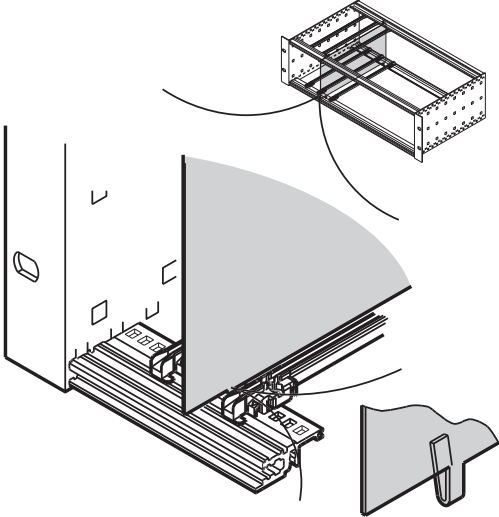
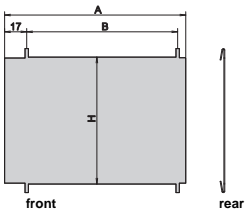
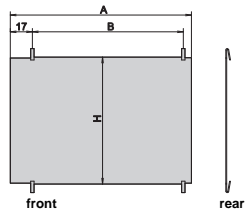
## Central locking

### Order Information

	<p style="text-align: center;"><b>Central locking for PCBs without front panels</b></p>  <p>Item 1: central rail, Al, anodised;              item 2: ID cardboard, white;              item 3: transparent cover strip, plastic;              item 4: 2 x knurled screw;              item 5: 2 x slide nut;              item 6: 2 x hexagon nut M2.5;              item 7: rubber gasket;</p> <p>central locking allows joint locking of PCBs and serves as identification strip;              can be fitted to front and rear horizontal rails,              suitable for 84 HP width</p>	bza45819
<p><b>Width</b> HP</p>	<p><b>Length</b> mm</p>	
84	426.0	24560-167

## Divider plate

### Order Information

	<b>Divider plate</b>				
	<p><b>Mounting position when stainless steel EMC gasket is used</b></p> 	<p><b>Mounting position when textile EMC gasket is used</b></p> 			
			<p>Stainless steel, 1 mm, is mounted by clipping onto horizontal rail,              space requirement on component side 2 mm;              mounting direction varies with shielding design (EMC stainless steel or textile gasket);              retrofitting the divider plate in an already-assembled subrack/case              will first require dismantling of the horizontal rails;              where front panels are unshielded, both mounting directions are possible</p>		
<p><b>Height</b> U</p>	<p><b>Depth</b> mm</p>	<p><b>A</b> mm</p>	<p><b>B</b> mm</p>	<p><b>H</b> mm</p>	
3	160	158.3	135.0	113.5	<b>PU 10 pieces</b>
3	220	218.3	195.0	113.5	34562-761
6	160	158.3	135.0	246.9	34562-762
6	220	218.3	195.0	246.9	34562-763
					34562-764