

I.137 | Tapered handles

Duroplast

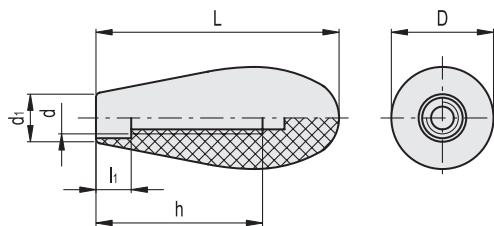


MATERIAL

Phenolic based (PF) Duroplast, black colour, glossy finish.

STANDARD EXECUTION

Threaded blind hole.



Code	Description	D	L	d	d1	h	l1	⚖
19301	I.137/70-M8	29	69	M8	14	45	10	37
19302	I.137/70-M10	29	69	M10	14	45	15	35
19401	I.137/80-M12	35	79	M12	17	55	12	60

I.218 | Shaped handle

Duroplast

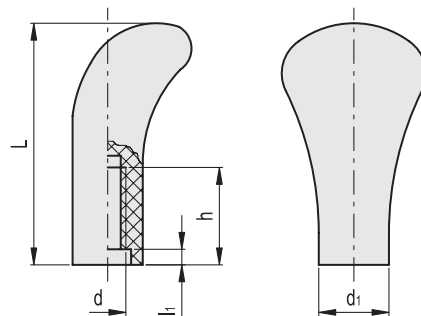


MATERIAL

Phenolic based (PF) Duroplast, black colour, glossy finish.

STANDARD EXECUTION

Threaded blind hole.



Code	Description	L	d	d1	h	l1	⚖
20801	I.218/60-M10	62	M10	18	25	4	32

