

Miniature Circuit Breakers B4/BR6/B10



Technical Datasheet

The IMO range of miniature circuit breakers have been designed for protection of electrical installations against overload and short circuits and are manufactured in accordance with IEC 60898-1

Technical Data

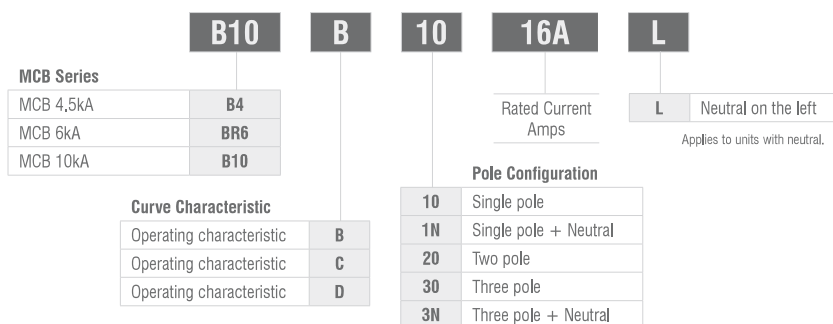
- Handle central-tripping function for circuit fault indicating
- New front design; cover and handle in arc shape
- Contact position indicating window; transparent cover to carry label
- High short circuit capacity
- Suitable for terminal and Pin/Fork type busbar connection
- Finger protected connection terminals
- Handle padlock device



Tripping characteristics in accordance with B, C and D type curves

- Curve B: 3-5 I_n Certification: B4: Semko / CE
- Curve C: 5-10 I_n B10: VDE / Semko / CE
- Curve D: 10-20 I_n

Options & Ordering Codes



Specifications

In accordance with	IEC 60898-1	
Certification	CE, SEMKO (only with B4 & BR6), Kema (only with B10), RCM (only with B4 & B10)	
Pole composition	1P, 1P+N, 2P, 3P, 3P+N	
Tripping Curve	B, C, D	
Calibration temperature	+30°C	
Rated frequency	50/60Hz	
Rated voltage	240/415VAC; 60VDC Max	
Rated insulation voltage	240VAC / 415VAC	
Rated impulse withstand voltage:	6,2kV	
Rated short circuit breaking capacity as per IEC 60898-1 and IEC60947-2	B4	4,5kA
	BR6	6kA
	B10	10kA
Mechanical lifetime	> 20,000 cycles	
Electrical lifetime	≤ 4,000 cycles	
Tightening torque	2,0Nm, 1,2Nm (B4 only)	
Screw Type	M5, M4 (B4 only)	
Terminal capacity	35mm ² solid, 25mm ² stranded conductor (10mm ² for 1P+N)	
Mounting	DIN Rail EN 60715 (EN 50022)	
Protection degree	IP20	
Operating temperature	-5°C +40°C	

Miniature Circuit Breakers B4/BR6/B10



Accessories

Auxiliary Switch	BR6-F2 (for BR6) & B10-F3 (for B10)
For monitoring the status of the protection device (open/closed)	
1 pole changeover (for C & D curve only)	
Rated current: 6A @ 230VAC & 24VDC or 3A @ 400VAC	
Dielectric Strength: 2000V/1min	
Terminal Capacity: 2,5mm ²	
Mounting on the Left side	

Shunt Trip	BR6-S2 (for BR6) & B10-S3 (for B10)
Shunt Trip to remotely switch off the protection device	
Rating voltage Ue: AC 110V / 230V / 400V	
Oving Voltage: 70%~110% X Ue	
Mounting on the Left side	

Under / Over Voltage Trip	BR6-U2-02
Trips the attached unit in case of under / over voltage	
Rated Voltage Ue: AC 230V	
Under-Voltage Tripping Range: 280V ±5%	
Over-Voltage Tripping Range: 170V ±5%	
Mounting on Left Side	

Busbars	
Description	Ref.
Busbar 1 Pole, 80A, Fork Type, 1M	B10BB1F100-1M
Busbar 3 Pole, 80A, Fork Type, 1M	B10BB3F100-1M
Busbar 1 Pole, 80A, Pin Type, 1M	B10BB1P100-1M
Busbar 3 Pole, 80A, Pin Type, 1M	B10BB3P100-1M
End Cap 3 Pole (Fork type only)	B10BBCAP3F100

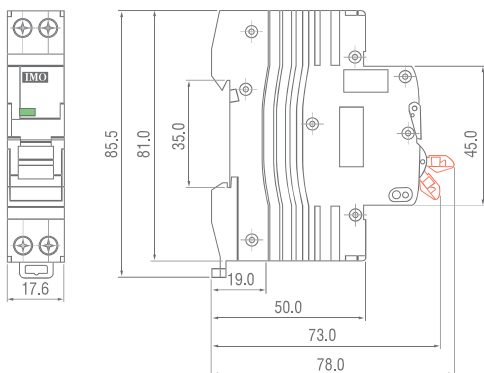
Terminal Adapter	BA1
-------------------------	------------

Locking Device	B10-LOCK
4mm padlock max diameter, padlock not included	

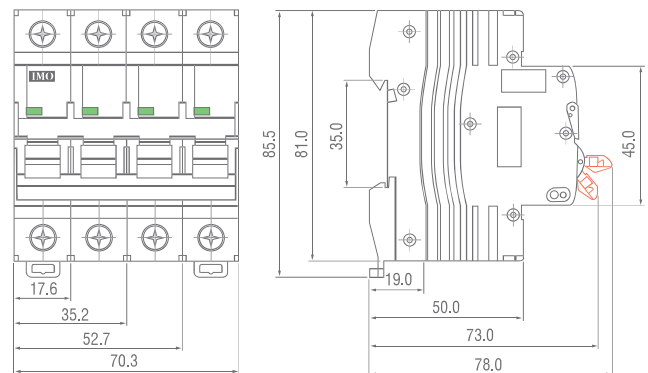
Locking Device	B10-TERM
-----------------------	-----------------

Dimensions (mm)

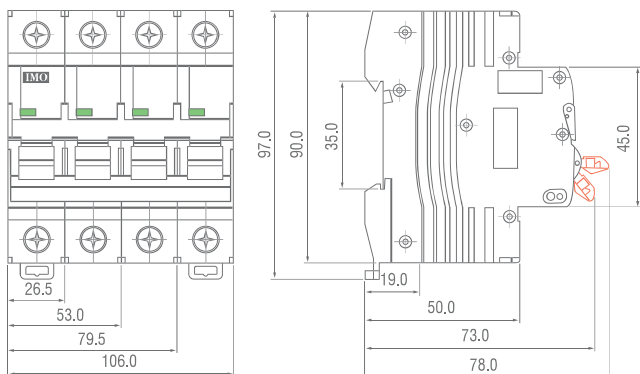
Miniature Circuit Breakers up to 32A (4.5kA Only)



Miniature Circuit Breakers up to 63A



Miniature Circuit Breakers from 80A to 125A



Miniature Circuit Breakers B4/BR6/B10



Technical Datasheet

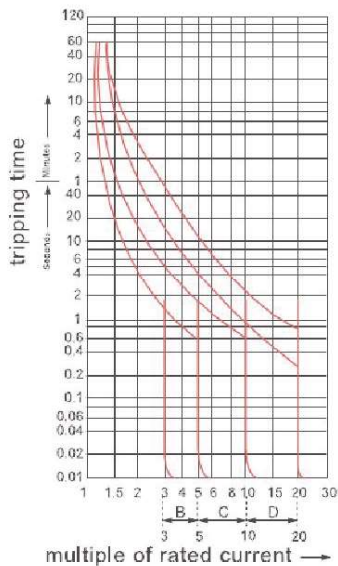
Selection Chart

Contact IMO
 4.5kA
 6kA
 10kA

Type	B						C						D						
Poles	1	1+N	2	3	3+N	4	1	1+N	2	3	3+N	4	1	1+N	2	3	3+N	4	
AMPS	1																		
	2																		
	4																		
	6																		
	10																		
	16																		
	20																		
	25																		
	32																		
	40																		
	50																		
	63																		
80																			
100																			
125																			
Weight (g/pc)	100	200	200	300	400	400	100	200	200	300	400	400	100	200	200	300	400	400	
Packing (Qty)	12	6	6	4	3	3	12	6	6	4	3	3	12	6	6	4	3	3	

Single Module Unit

B, C, D Tripping Curve



Ambient temperature & Current rating curve

