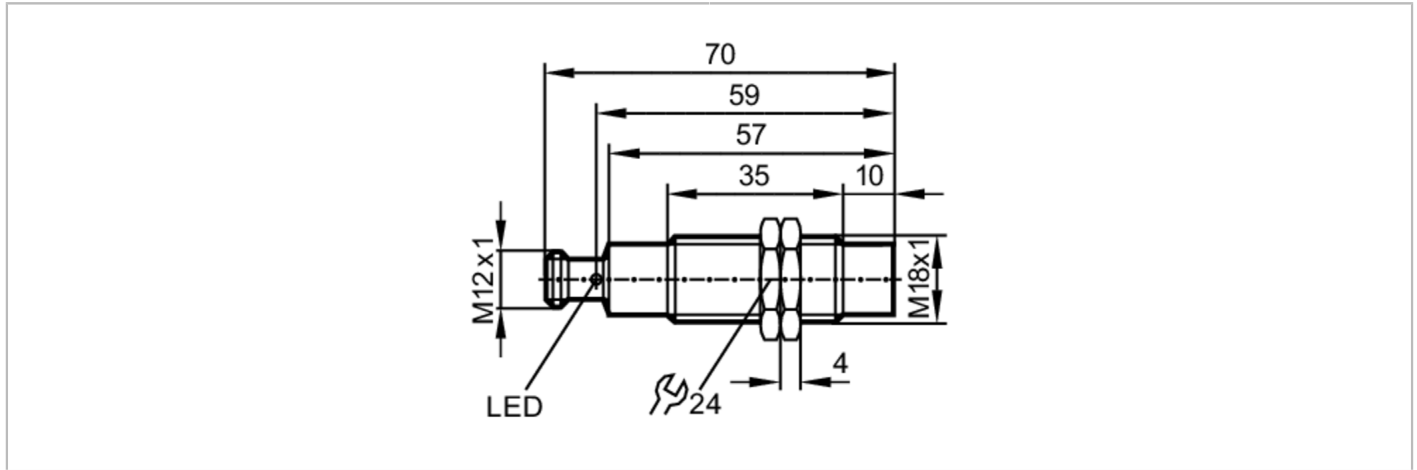


ANT425



RFID read/write head HF

DTRHF GNRWIDUS03



Application		
Application	detection of objects on transport equipment	
Radio approval for	Europe; China	
Electrical data		
Operating voltage [V]	19.2...28.8 DC; (supply only via the DTE10x evaluation unit (to EN 60950-1))	
Current consumption [mA]	< 50	
Protection class	III	
Operating frequency [MHz]	13,56	
RFID standard	ISO 15693	
Detection zone		
Distance write/read head front [mm]	180	
Distance write/read head side [mm]	90	
Distance to the ID tag [mm]	≤ 40	
Interfaces		
Communication interface	DATA / DTE10x	
Operating conditions		
Ambient temperature [°C]	-20...60	
Storage temperature [°C]	-25...80	
Protection	IP 67; IP 69K	
Tests / approvals		
EMC	EN 301489-3	
Shock resistance	EN 60068-2-27	50 g 11 ms / 40 g (6 ms, continuous)
Vibration resistance	EN 60068-2-6	20 g 10...2000 Hz
Radio approval	EN 300 330-2 V2.1.1	

ANT425



RFID read/write head HF

DTRHF GNRWIDUS03

Mechanical data

Weight	[g]	132
Housing		cylindrical
Mounting		non-flush mountable
Dimensions	[mm]	M18 x 1 / L = 70
Thread designation		M18 x 1
Materials		housing: stainless steel; Protective cover: PPS; connector housing: PEI

Displays / operating elements

Display	operation	1 x LED, green
	tag communication	1 x LED, yellow

Remarks

Pack quantity	1 pcs.
---------------	--------

Electrical connection

Connector: 1 x M12



Connection

