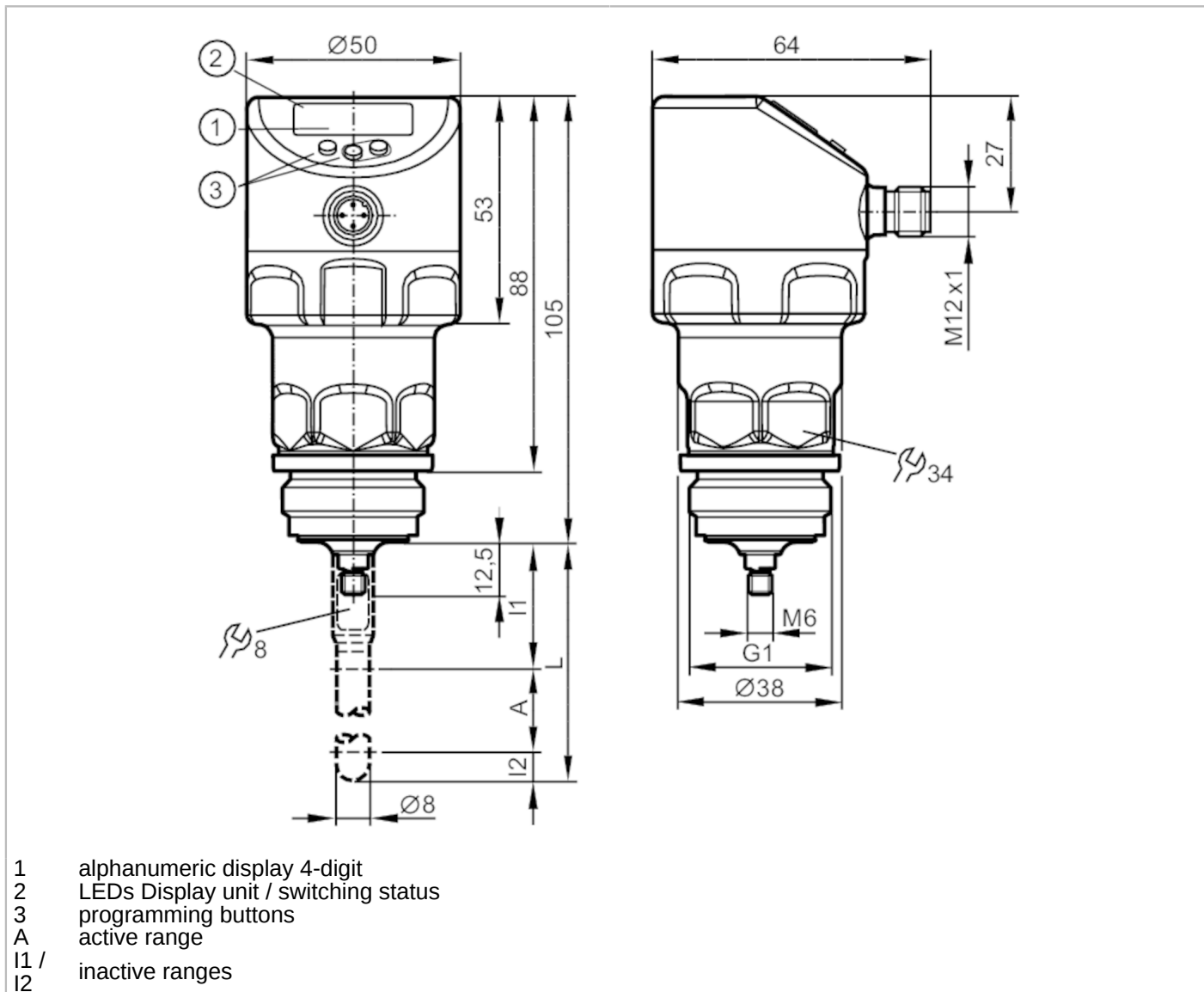


LR2759



Continuous level sensor (guided wave radar)

LR0000B-EA01AKSKG/US



EC 1935/2004 EHEDG Certified FDA IO-Link

Product characteristics

Number of inputs and outputs	Number of digital outputs: 1; Number of analogue outputs: 1
Probe length L [mm]	150...2000
Process connection	G 1 Aseptoflex Vario

Application

Special feature	Gold-plated contacts
Media	Liquids
Dielectric constant of the medium	> 5
Recommended media	water; hyrous media
Medium temperature [°C]	-40...150; (For 3-A applications, the medium temperature is limited to 121 °C and COP cleaning is required.)
Tank pressure [bar]	-1...40



Continuous level sensor (guided wave radar)

LR0000B-EA01AKSKG/JS

Electrical data		
Operating voltage	[V]	18...30 DC
Current consumption	[mA]	< 50
Protection class		III
Reverse polarity protection		yes
Power-on delay time	[s]	< 3
Inputs / outputs		
Number of inputs and outputs		Number of digital outputs: 1; Number of analogue outputs: 1
Outputs		
Total number of outputs		2
Output signal		switching signal; analogue signal; IO-Link
Electrical design		PNP/NPN
Number of digital outputs		1
Output function		normally open / normally closed; (parameterisable)
Max. voltage drop switching output DC	[V]	2.5
Permanent current rating of switching output DC	[mA]	150; (200 (...60 °C))
Number of analogue outputs		1
Analogue current output	[mA]	4...20, invertible; (scalable)
Factory setting		Electrical design: NPN
Short-circuit protection		yes
Type of short-circuit protection		pulsed
Overload protection		yes
Measuring/setting range		
Probe length L	[mm]	150...2000
Active range A	[mm]	L-40
Inactive range I1 / I2	[mm]	30 / 10
Sampling rate	[Hz]	4
Setting range		
Set point SP	[mm]	15...L-30
Reset point rP	[mm]	10... L-35
In steps of	[mm]	1
Hysteresis	[mm]	> 5
Accuracy / deviations		
Measuring error	[% of the measured value]	± 7 mm
Offset error	[mm]	5
Resolution	[mm]	1
Zero signal (current)	[mA]	4.0
Full signal (current)	[mA]	20
Temperature drift per 10 K		± 0.2 %

LR2759



Continuous level sensor (guided wave radar)

LR0000B-EA01AKSKG/US

Interfaces		
Communication interface	IO-Link	
Transmission type	COM2 (38,4 kBaud)	
IO-Link revision	1.1	
SDCI standard	IEC 61131-9	
IO-Link device ID	0x000283	
Profiles	Smart Sensor: Process Data Variable; Device Identification, Device Diagnosis	
SIO mode	yes	
Required master port type	A	
Process data analogue	1	
Process data binary	2	
Min. process cycle time [ms]	2.3	
Operating conditions		
Ambient temperature [°C]	-40...80	
Storage temperature [°C]	-40...100	
Protection	IP 68; IP 69K	
Tests / approvals		
EMC	DIN EN 61000-6-2	
	DIN EN 61000-6-3	: in a metal tank
	DIN EN 61000-6-4	: in a plastic tank
Shock resistance	DIN EN 60068-2-27	50 g (11 ms) / 20 g (6 ms) with reference rod 0.5 m
Vibration resistance	DIN EN 60068-2-6	20 g (10...2000 Hz) / 1 g (5...200 Hz) with reference rod 0.5 m
MTTF [years]	216	
Mechanical data		
Weight [g]	396.5	
Materials	stainless steel (1.4404 / 316L); PEI; PFA; PBT; FKM	
Materials (wetted parts)	stainless steel (1.4404 / 316L); PEEK	
Process connection	G 1 Aseptoflex Vario	
Surface characteristics Ra/Rz of the wetted parts	< 0.8	
Displays / operating elements		
Display	Display unit	3 x LED, green
	switching status	2 x LED, yellow
	level	alphanumeric display, 4-digit
	parameter setting	alphanumeric display, 4-digit
Remarks		
Pack quantity	1 pcs.	
Electrical connection		
Connector: 1 x M12; Contacts: gold-plated		

LR2759

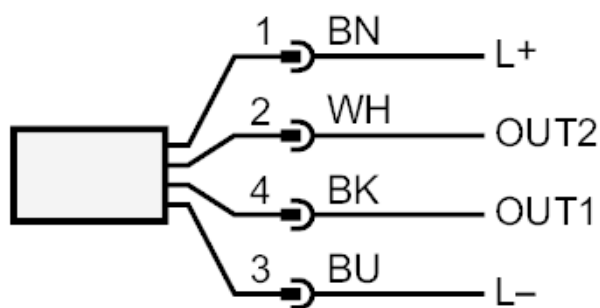


Continuous level sensor (guided wave radar)

LR0000B-EA01AKSKG/US



Connection



OUT1: switching output IO-Link
OUT2: switching output analogue output
colours to DIN EN 60947-5-2

Core colours :

BK = black
BN = brown
BU = blue
WH = white

LR2759



Continuous level sensor (guided wave radar)

LR0000B-EA01AKSKG/US

Diagrams and graphs

Measurement deviation D at the limits of the active rod range

