

MOTOR SUPPRESSOR

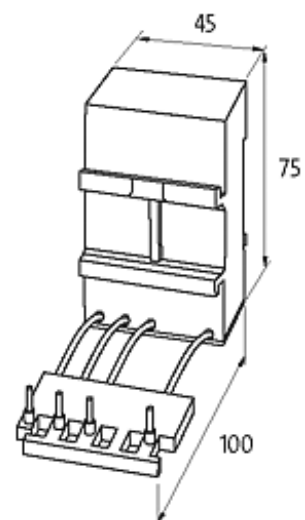
Varistor, 3x400VAC/5,5kW

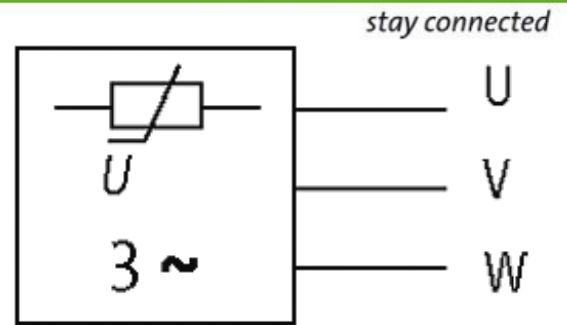
3 × 400 V AC
VDR

Suppressors for other voltages, frequencies, and motor ratings available on request. Do not use RC motor suppressors with frequency inverters.

[Link to Product](#)

Illustration





VDR

Product may differ from Image

Appropriate contactors

SIEMENS contactors

Moeller contactors

Sprecher+Schuh contactors

Technical Data

Material	Flame retardant plastic acc. to (UL 94)
Frequency	10...400 Hz

General data

Connection	Ferrule ends, load side securely fixed
Temperature range	-20...+60 °C
Dimensions H × W × D	75×45×100 mm

Commercial data

country of origin	CZ
customs tariff number	85363010
minimum order quantity	1