

TWO TIER TERMINAL 2,5MM2 FOR COMPONENT
CONNECTION SCREW MOUNTING GREY

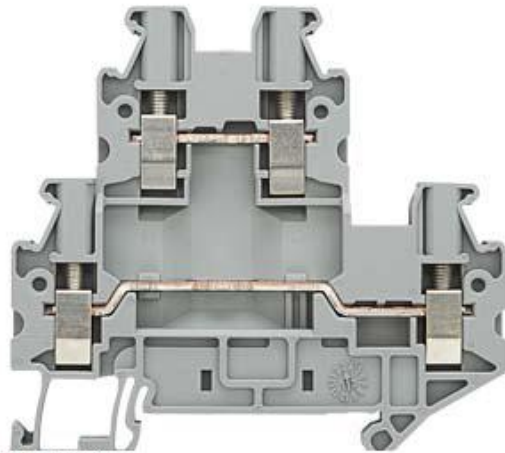


Figure similar

Model		
Design of terminal / Terminal levels internally linked		No
General technical data		
Terminal contact spacing	mm	2.5
Protection class		
Combustibility class acc. to UL 94		V0
Main circuit		
Operating voltage / Rated value	V	500
Operating current / Rated value	A	24
Appearance		
Color		grey
Product details		
Product component / required / connection plate		Yes
Number		
Number of terminal levels		2
Number of terminal points / per terminal level		2
Connections		
Connectable conductor cross-section		
<ul style="list-style-type: none"> • solid <ul style="list-style-type: none"> — minimum mm² 0.14 — maximum mm² 4 • finely stranded 		

— with core end processing / minimum	mm ²	0.14
— with core end processing / maximum	mm ²	4
Type of electrical connection		
• 1		screw-type terminal
• 2		screw-type terminal
Position / of the terminal		lateral

Mechanical Design		
Height / with lowest-profile installation	mm	65
Length	mm	69.9
Mounting type		DIN rail 35 mm
Material / of the insulating body		Thermoplast

Environmental conditions		
Ambient temperature		
• during operation / minimum	°C	-25
• during operation / maximum	°C	55

Certificates		
Design tested acc. to type of protection / EEx e		No

General Product Approval



Further information

Information- and Downloadcenter (Catalogs, Brochures,...)

<http://www.siemens.com/lowvoltage/catalogs>

Industry Mall (Online ordering system)

<https://eb.automation.siemens.com/mall/en/WW/Catalog/Product/8WH10205LF00>

Service&Support (Manuals, Certificates, Characteristics, FAQs,...)

<http://support.automation.siemens.com/WW/view/en/8WH10205LF00/all>

Image database (product images, 2D dimension drawings, 3D models, device circuit diagrams, ...)

http://www.automation.siemens.com/bilddb/cax_en.aspx?mfb=8WH10205LF00

CAX-Online-Generator

<http://www.siemens.com/cax>

Tender specifications

<http://ausschreibungstexte.siemens.com/tiplv>

last modified:

11.03.2015