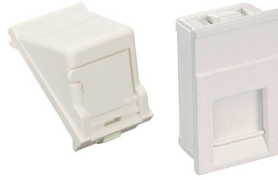


# Mini-Com® LJ6C Style Adapters

## specifications

The Mini-Com® LJ6C Style Adapter shall be compatible with 25mm x 38mm openings, commonly found in third party faceplates or select in-floor boxes. Adapters shall have a flat or sloped design to help maintain bend radius control. The adapter shall include a spring shuttered door to protect port from dust and debris.



### One Port Adapters

<b>Flat:</b>	CM6CSAW-X
<b>Sloped:</b>	CM6CSSAW-X

## technical information

**Packaging:** Includes ten adapters per package

**Material:** ABS

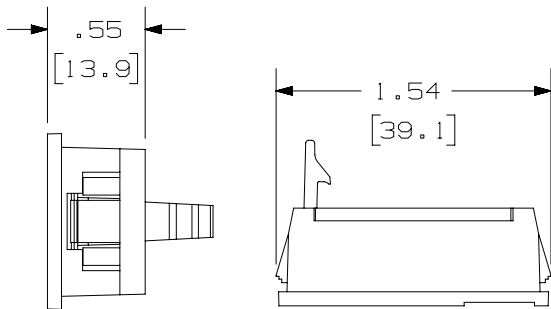
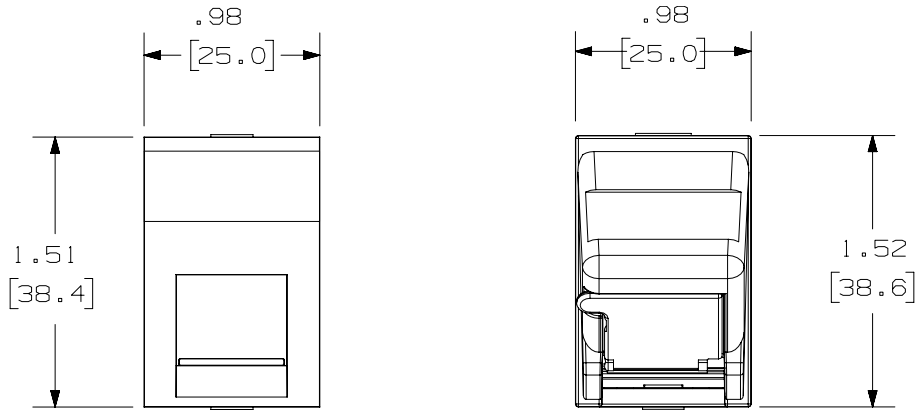
## key features and benefits

<b>Modular</b>	Mini-Com® Jack Modules snap in and out for easy moves, adds, and changes
<b>Shuttered feature</b>	Spring shuttered door will protect opening from dust and debris
<b>Sloped design</b>	Helps maintain bend radius control

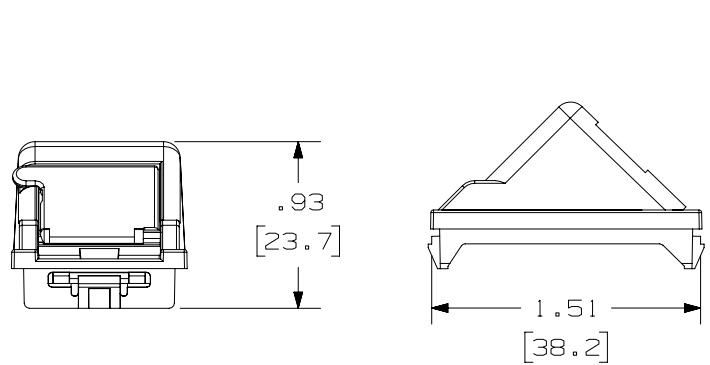
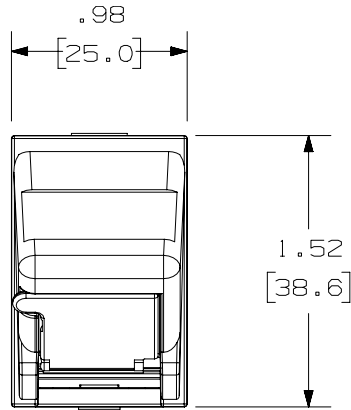
## applications

Mini-Com® LJ6C Style Adapters are designed to be compatible with 25mm x 38mm openings commonly found in third party faceplates and select in-floor boxes among other products. Sloped design available for those areas with bend radius concerns. Spring shuttered door maintains port free of dust and debris when not in use. Adapter provides identification area for use with adhesive labeling.

# Mini-Com® LJ6C Style Adapters



**CM6CSAW-X**



**CM6CSSAW-X**

Dimensions are in inches. (Dimensions in brackets are metric).

## WORLDWIDE SUBSIDIARIES AND SALES OFFICES

PANDUIT US/CANADA  
Phone: 800.777.3300

PANDUIT EUROPE LTD.  
London, UK  
Phone: 44.20.8601.7200

PANDUIT SINGAPORE PTE. LTD.  
Republic of Singapore  
Phone: 65.6305.7575

PANDUIT JAPAN  
Tokyo, Japan  
Phone: 81.3.6863.6000

PANDUIT LATIN AMERICA  
Guadalajara, Mexico  
Phone: 52.33.3777.6000

PANDUIT AUSTRALIA PTY. LTD.  
Victoria, Australia  
Phone: 61.3.9794.9020

For a copy of Panduit product warranties, log on to [www.panduit.com/warranty](http://www.panduit.com/warranty)



For more information  
Visit us at [www.panduit.com](http://www.panduit.com)  
Contact Customer Service by email: [cs@panduit.com](mailto:cs@panduit.com)  
or by phone: 800.777.3300

© 2020 Panduit Corp.  
ALL RIGHTS RESERVED.  
CMSP5--WW-ENG  
11/2020