

Mounting Pads · protected against slipping

22590.1656



Product Description

Mounting pads can be used as foot or thrust pad. Not parallel bearing surfaces up to 15° degrees can be compensated.
The plastic cover on the mounting pad prevents slipping.

Material

Ball element with bolt

- Stainless steel 1.4305

Rubber cap

- Rubber, black

Lock nut

- Stainless Steel A2, DIN 934

Pad

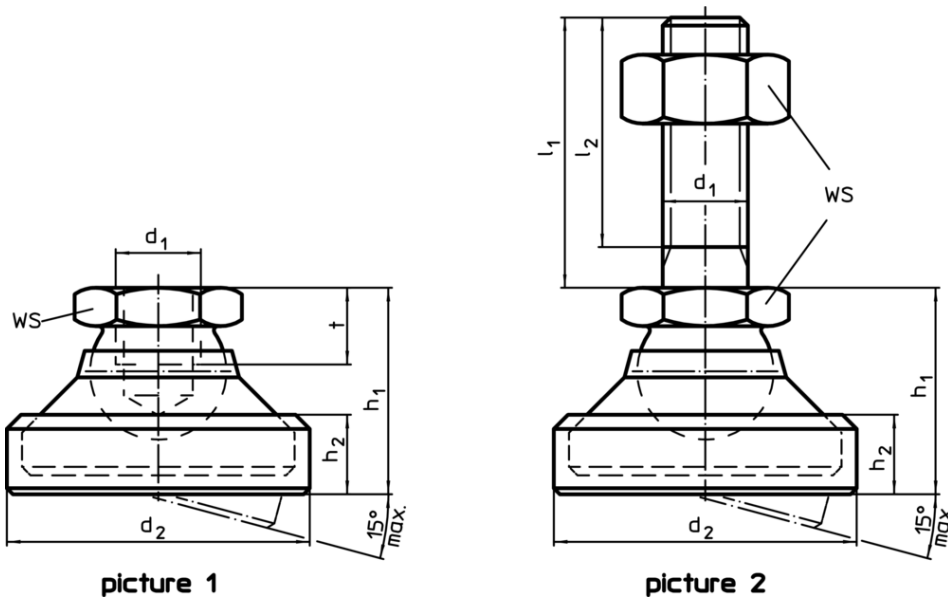
- Stainless steel 1.4305

More information


Notes

For the versions $d_1 = M10$ and $M12$ the lock nut conforms to DIN 934.

Drawing



Order information

d_1	l_1	d_2	Dimensions		h_1	h_2	WS	Load capacity for static load max.	 [g]	Art. No.
			l_2	[mm]						
pad and ball element with bolt from steel – picture 2, stainless steel										
M12	150	45	144.5		30.5	13.2	19	28	258	22590.1656

Compliance

RoHS compliant

Compliant according to Directive 2011/65/EU and Directive 2015/863

Does not contain SVHC substances

No SVHC substances with more than 0.1% w/w contained - SVHC list [REACH] as of 10.06.2022

Does not contain Proposition 65 substances

No Proposition 65 substances included

<https://www.P65Warnings.ca.gov/>

Free from Conflict Minerals

This product does not contain any substances designated as "conflict minerals" such as tantalum, tin, gold or tungsten from the Democratic Republic of Congo or adjacent countries.