

## Clamps • DIN 6316 with goose-neck 23160.0011

### Product Description

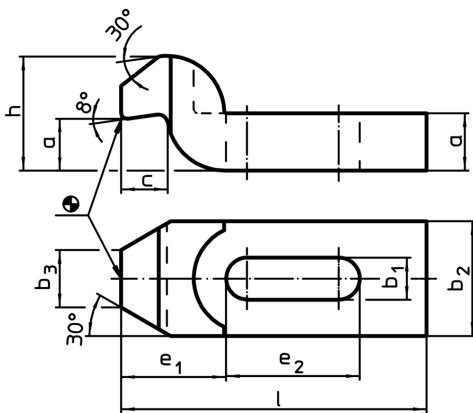
This clamp (clamping claw) according to DIN 6316 with goose-neck is mainly used in mechanical clamping technology for clamping workpieces.



### Material

- Heat-treated steel, varnished

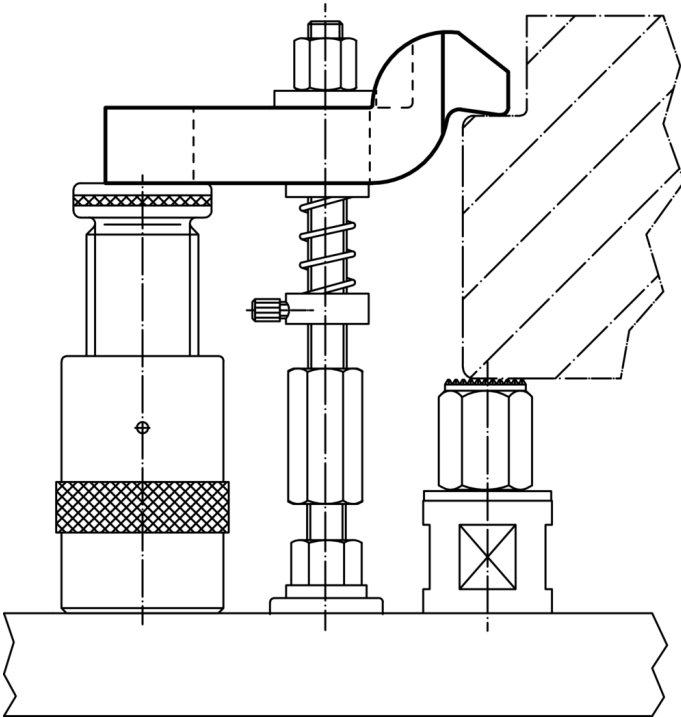
### Drawing



### Order information

Nominal dimension b <sub>1</sub> [mm]	Dimensions									For screws		Art. No.
	l	a	b <sub>2</sub>	b <sub>3</sub>	c	e <sub>1</sub>	e <sub>2</sub>	h	[mm]	[inch]	[g]	
11	100	15	30	15	12	32	32	30	M10	3/8	307	23160.0011

## Application example



## Compliance

### RoHS compliant

Compliant according to Directive 2011/65/EU and Directive 2015/863

### Does not contain SVHC substances

No SVHC substances with more than 0.1% w/w contained - SVHC list [REACH] as of 10.06.2022

### Does not contain Proposition 65 substances

No Proposition 65 substances included

<https://www.P65Warnings.ca.gov/>

### Free from Conflict Minerals

This product does not contain any substances designated as "conflict minerals" such as tantalum, tin, gold or tungsten from the Democratic Republic of Congo or adjacent countries.