



DDC400 Series N plug-N jack



ANC-4160

H/W Version: 1

DDC 400 Series cable assemblies are manufactured from the highest performance Low Loss cable. It is the preferred cable for distances greater than 3m, and has become the "standard" for all outdoor antenna cabling.

Weatherability

DDC 400 series cables designed for outdoor exposure incorporate the best materials for UV resistance and have life expectancy in more than 10 years.



1. N-jack Connector
2. N-plug Connector

Related Products



ANC-4130
DDC 400 Series N plug-N
jack-3m

Technical Specifications

CONDUCTOR

AWG

17

Material

Copper Coated Aluminum

Composition

1/2.74mm

Outside Diameter

2.74±0.03mm

INSULATI

Material

GFPE

Outside Diameter

7.24±0.15 mm

Thickness

2.3mm

SHIELD

Material

Double Sides Bonded Aluminum Foil

Composition

0.038mm

Material

Tinned Copper Wire

Composition

24*7/0.16mm

Outside Diameter

7.92mm

JACKET

Material

PVC (RoSH)

Outside Diameter

10.3±0.2mm

Thickness

1.2mm

Color

Black

Conductor Resistance

4.6 ↓ Ω/Km

Insulation Resistance

1000 ↑ MΩ/Km

Spark Test

3000V

Impedance

50±3Ω

Capacitance

79±3 PF/M

VSWR

1000~2000MHZ ≤1.2

3000~6000MHZ ≤1.5

Attenuation (100 ft)

30 MHZ 0.7dB

150 MHZ 1.5dB

450 MHZ 2.7dB

900 MHZ 3.9dB

1500 MHZ 5.1dB

1800 MHZ 5.7dB

2500 MHZ 16.8dB

INSULATI

Tensile Strength (UNAGED)

500 ↑ Psi

Tensile Strength (AGED)

70 ↑ %

Elongation (UNAGED)

85 ↑ %

Elongation (AGED)

60 ↑ %

JACKET

Tensile Strength (UNAGED)

1500 ↑ Psi

Tensile Strength (AGED)

70 ↑ %

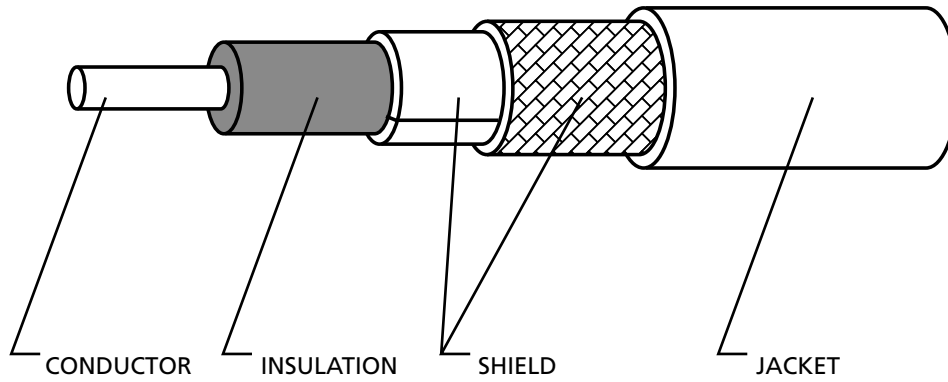
Elongation (UNAGED)

100 ↑ %

Elongation (AGED)

65 ↑ %

Dimension Diagram



Order Information **ANC-4160:** DDC400 Series N plug-N jack

Package Contents ANC-4160