



Product Change Notification



Product Group: SFERNICE / Jan. 18th , 2010 / PCN-SF / FL 092- 2010 Rev 0 / page 1/4

M63 & M70 TRIMMERS

DESCRIPTION OF CHANGE: Color change. See drawings below.

CLASSIFICATION OF CHANGE: Form Fit Function

REASON FOR CHANGE: Raw Material Obsolescence / Synergy with all Vishay Sfernice Trimmers color

EXPECTED INFLUENCE ON QUALITY/RELIABILITY/PERFORMANCE: None.

PRODUCT CATEGORY: Trimmers

PART NUMBERS/SERIES/FAMILIES AFFECTED: M63 & M70. P/Ns list on pages 3 & 4

M63xB40	M63xTx
M70xB25	M70xTx

VISHAY BRAND(s): Vishay Spectrol

TIME SCHEDULE:

Last Time Buy Date : March 31st 2010
Last Time Shipment Date : August 31st 2010

M63 New color Production start May 2010
M70 New color Production start July 2010

SAMPLE AVAILABILITY : Available on request starting W12 2010

PRODUCT IDENTIFICATION : Color

QUALIFICATION DATA : available on request W12 2010 (Data sheets will be updated)

This PCN is considered approved, without further notification, unless we receive specific customer concerns before Feb 26th 2010 or as specified by contract.

ISSUED BY: Frederic Lovera / Product Marketing Mgr. Frederic.lovera@vishay.com

For further information, please contact CS or our Regional Marketing Vishay office.

CONTACT INFORMATION:

The Americas

VISHAY SPECTROL
4051 Greystone Drive
Ontario, CA 91761 USA

George KANELAS
Tel : (909) 923 3313 ext. 114

Europe

VISHAY-Division SFERNICE
BP 1159, 199 Bd de la Madeleine
06003 NICE CEDEX FRANCE

Frederic Lovera
Tel : (33) 493 37 29 50

Asia

**VISHAY Intertechnology
Asia Pte. LTD**
25Tampiness Street 92

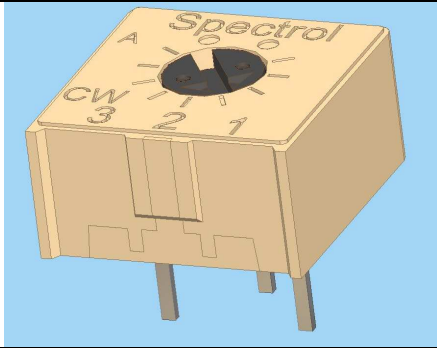
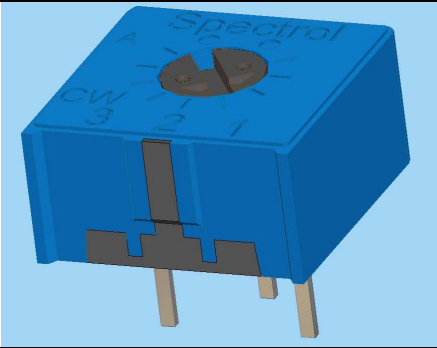
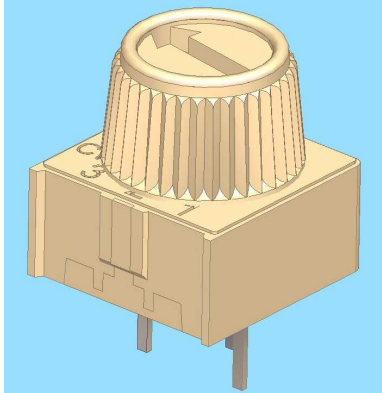
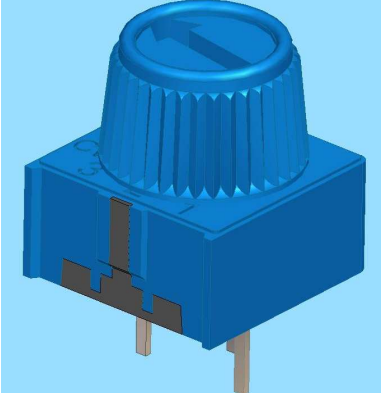
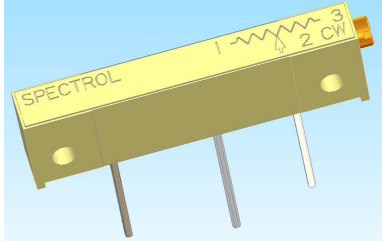
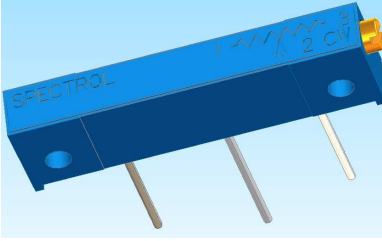
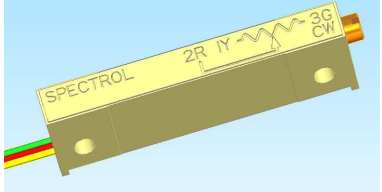
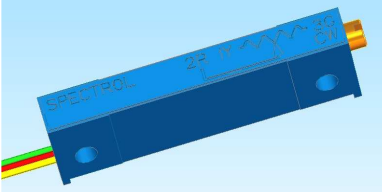
Vincent ONG
Tel : (65) 6780 7746



Product Change Notification



Product Group: SFERNICE / Jan. 18th , 2010 / PCN-SF / FL 092- 2010 Rev 0 / page 2/4

Old M63	New M63
	
Old M63 T607	New M63 T607
	
Old M70Y	New M70Y
	
Old M70L	New M70L
	



Product Change Notification



Product Group: SFERNICE / Jan. 18th , 2010 / PCN-SF / FL 092- 2010 Rev 0 / page 3/4

Part Number	Description	Part Number	Description
M63M101KB30T607	63 M 100U 10% T607 BO100 e3	M63P102KB40T614	63 P 1K 10% T614 BO200 e3
M63M101KB40	63 M 100U 10% BO200 e3	M63P103KB30Q105	63 P 10K 10% 8-989 BO100 e3
M63M102KB30Q105	63 M 1K 10% 8-990 BO100 e3	M63P103KB30T607	63 P 10K 10% T607 BO100 e3
M63M102KB30T607	63 M 1K 10% T607 BO100 e3	M63P103KB30T640	63 P 10K 10% T640 BO100 e3
M63M102KB40	63 M 1K 10% BO200 e3	M63P103KB40	63 P 10K 10% BO200 e3
M63M103KB30T607	63 M 10K 10% T607 BO100 e3	M63P103KB40T607	63 P 10K 10% T607 BO200 e3
M63M103KB30T640	63 M 10K 10% T640 BO100 e3	M63P103KB40T614	63 P 10K 10% T614 BO200 e3
M63M103KB40	63 M 10K 10% BO200 e3	M63P104KB30Q105	63 P 100K 10% 8-989 BO100 e3
M63M103KB40T614	63 M 10K 10% T614 BO200 e3	M63P104KB30T607	63 P 100K 10% T607 BO100 e3
M63M104KB30T607	63 M 100K 10% T607 BO100 e3	M63P104KB30T640	63 P 100K 10% T640 BO100 e3
M63M104KB40	63 M 100K 10% BO200 e3	M63P104KB40	63 P 100K 10% BO200 e3
M63M104KB40T614	63 M 100K 10% T614 BO200 e3	M63P104KB40T614	63 P 100K 10% T614 BO200 e3
M63M105KB30T607	63 M 1M 10% T607 BO100 e3	M63P105KB30T607	63 P 1M 10% T607 BO100 e3
M63M105KB40	63 M 1M 10% BO200 e3	M63P105KB30T640	63 P 1M 10% T640 BO100 e3
M63M105KB40T614	63 M 1M 10% T614 BO200 e3	M63P105KB40	63 P 1M 10% BO200 e3
M63M201KB30T607	63 M 200U 10% T607 BO100 e3	M63P201KB40	63 P 200U 10% BO200 e3
M63M201KB40	63 M 200U 10% BO200 e3	M63P202KB30Q105	63 P 2K 10% 8-989 BO100 e3
M63M202KB30T607	63 M 2K 10% T607 BO100 e3	M63P202KB30T607	63 P 2K 10% T607 BO100 e3
M63M202KB40	63 M 2K 10% BO200 e3	M63P202KB30T640	63 P 2K 10% T640 BO100 e3
M63M203KB30T607	63 M 20K 10% T607 BO100 e3	M63P202KB40	63 P 2K 10% BO200 e3
M63M203KB40	63 M 20K 10% BO200 e3	M63P203KB30Q105	63 P 20K 10% 8-989 BO100 e3
M63M204KB30Q106	63 M 200K 10% 9-841 BO100 e3	M63P203KB30Q116	63 P 20K 10% Q116 BO100 e3
M63M204KB30T607	63 M 200K 10% T607 BO100 e3	M63P203KB30T607	63 P 20K 10% T607 BO100 e3
M63M204KB30T640	63 M 200K 10% T640 BO100 e3	M63P203KB30T640	63 P 20K 10% T640 BO100 e3
M63M204KB40	63 M 200K 10% BO200 e3	M63P203KB40	63 P 20K 10% BO200 e3
M63M204KB40T614	63 M 200K 10% T614 BO200 e3	M63P204KB30T607	63 P 200K 10% T607 BO100 e3
M63M205KB40	63 M 2M 10% BO200 e3	M63P204KB40	63 P 200K 10% BO200 e3
M63M251KB40	63 M 250U 10% BO200 e3	M63P205KB30T607	63 P 2M 10% T607 BO100 e3
M63M253KB40	63 M 25K 10% BO200 e3	M63P205KB30T640	63 P 2M 10% T640 BO100 e3
M63M254KB40	63 M 250K 10% BO200 e3	M63P205KB40	63 P 2M 10% BO200 e3
M63M501KB30T607	63 M 500U 10% T607 BO100 e3	M63P253KB40	63 P 25K 10% BO200 e3
M63M501KB40	63 M 500U 10% BO200 e3	M63P254KB40	63 P 250K 10% BO200 e3
M63M501KB40T614	63 M 500U 10% T614 BO200 e3	M63P501KB30Q105	63 P 500U 10% 8-989 BO100 e3
M63M502KB30Q105	63 M 5K 10% 8-990 BO100 e3	M63P501KB30T607	63 P 500U 10% T607 BO100 e3
M63M502KB30T607	63 M 5K 10% T607 BO100 e3	M63P501KB40	63 P 500U 10% BO200 e3
M63M502KB40	63 M 5K 10% BO200 e3	M63P502KB30Q105	63 P 5K 10% 8-989 BO100 e3
M63M503KB30T607	63 M 50K 10% T607 BO100 e3	M63P502KB30T607	63 P 5K 10% T607 BO100 e3
M63M503KB40	63 M 50K 10% BO200 e3	M63P502KB30T640	63 P 5K 10% T640 BO100 e3
M63M504KB30T607	63 M 500K 10% T607 BO100 e3	M63P502KB40	63 P 5K 10% BO200 e3
M63M504KB40	63 M 500K 10% BO200 e3	M63P502KB40T607	63 P 5K 10% T607 BO200 e3
M63P101KB30T607	63 P 100U 10% T607 BO100 e3	M63P503KB30T607	63 P 50K 10% T607 BO100 e3
M63P101KB40	63 P 100U 10% BO200 e3	M63P503KB30T640	63 P 50K 10% T640 BO100 e3
M63P102KB30T607	63 P 1K 10% T607 BO100 e3	M63P503KB40	63 P 50K 10% BO200 e3
M63P102KB30T640	63 P 1K 10% T640 BO100 e3	M63P503KT20	63 P 50K 10% TU50 e3
M63P102KB40	63 P 1K 10% BO200 e3	M63P504KB30T607	63 P 500K 10% T607 BO100 e3
M63P102KB40T607	63 P 1K 10% T607 BO200 e3	M63P504KB30T640	63 P 500K 10% T640 BO100 e3



Product Change Notification



Product Group: SFERNICE / Jan. 18th , 2010 / PCN-SF / FL 092- 2010 Rev 0 / page 4/4

Part Number	Description	Part Number	Description
M63P504KB40	63 P 500K 10% BO200 e3	M63X503KB30T607	63 X 50K 10% T607 BO100 e3
M63S101KB40	63 S 100U 10% BO200 e3	M63X503KB40	63 X 50K 10% BO200 e3
M63S102KB40	63 S 1K 10% BO200 e3	M63X504KB30T607	63 X 500K 10% T607 BO100 e3
M63S103KB40Q107	63 S 10K 10% 9-832 BO200 e3	M63X504KB40	63 X 500K 10% BO200 e3
M63S104KB40	63 S 100K 10% BO200 e3	M63X504KB40T614	63 X 500K 10% T614 BO200 e3
M63S105KB40	63 S 1M 10% BO200 e3	M70L100KB25	70 L 10U 10% BO50 e3
M63S201KB40	63 S 200U 10% BO200 e3	M70L101KB25	70 L 100U 10% BO50 e3
M63S202KB40	63 S 2K 10% BO200 e3	M70L102KB25	70 L 1K 10% BO50 e3
M63S202KB40T614	63 S 2K 10% T614 BO200 e3	M70L103KB25	70 L 10K 10% BO50 e3
M63S203KB40	63 S 20K 10% BO200 e3	M70L104JB25	70 L 100K 5% BO50 e3
M63S204KB40	63 S 200K 10% BO200 e3	M70L104KB25	70 L 100K 10% BO50 e3
M63S205KB40	63 S 2M 10% BO200 e3	M70L105KB25	70 L 1M 10% BO50 e3
M63S253KB40	63 S 25K 10% BO200 e3	M70L201KB25	70 L 200U 10% BO50 e3
M63S254KB40	63 S 250K 10% BO200 e3	M70L202KB25	70 L 2K 10% BO50 e3
M63S501KB40	63 S 500U 10% BO200 e3	M70L202KB25T601	70 L 2K 10% T601 BO50 e3
M63S502KB40	63 S 5K 10% BO200 e3	M70L203KB25	70 L 20K 10% BO50 e3
M63S503KB40	63 S 50K 10% BO200 e3	M70L204KB25	70 L 200K 10% BO50 e3
M63S504KB40	63 S 500K 10% BO200 e3	M70L205KB25	70 L 2M 10% BO50 e3
M63X101KB40	63 X 100U 10% BO200 e3	M70L254KB25	70 L 250K 10% BO50 e3
M63X102KB30T607	63 X 1K 10% T607 BO100 e3	M70L500KB25	70 L 50U 10% BO50 e3
M63X102KB40	63 X 1K 10% BO200 e3	M70L501KB25	70 L 500U 10% BO50 e3
M63X103KB30Q108	63 X 10K 10% 9-800 BO100 e3	M70L501KB25T601	70 L 500U 10% T601 BO50 e3
M63X103KB30T607	63 X 10K 10% T607 BO100 e3	M70L502KB25	70 L 5K 10% BO50 e3
M63X103KB40	63 X 10K 10% BO200 e3	M70L503KB25	70 L 50K 10% BO50 e3
M63X103KB40T614	63 X 10K 10% T614 BO200 e3	M70L503KB25T601	70 L 50K 10% T601 BO50 e3
M63X104KB30T607	63 X 100K 10% T607 BO100 e3	M70Y100KB25	70 Y 10U 10% BO50 e3
M63X104KB40	63 X 100K 10% BO200 e3	M70Y101KB25	70 Y 100U 10% BO50 e3
M63X104KB40T614	63 X 100K 10% T614 BO200 e3	M70Y102KB25	70 Y 1K 10% BO50 e3
M63X105KB40	63 X 1M 10% BO200 e3	M70Y103KB25	70 Y 10K 10% BO50 e3
M63X201KB40	63 X 200U 10% BO200 e3	M70Y104KB25	70 Y 100K 10% BO50 e3
M63X202KB30T607	63 X 2K 10% T607 BO100 e3	M70Y105KB25	70 Y 1M 10% BO50 e3
M63X202KB40	63 X 2K 10% BO200 e3	M70Y200KB25	70 Y 20U 10% BO50 e3
M63X203KB30T607	63 X 20K 10% T607 BO100 e3	M70Y201KB25	70 Y 200U 10% BO50 e3
M63X203KB40	63 X 20K 10% BO200 e3	M70Y202KB25	70 Y 2K 10% BO50 e3
M63X203KB40T614	63 X 20K 10% T614 BO200 e3	M70Y203KB25	70 Y 20K 10% BO50 e3
M63X204KB40	63 X 200K 10% BO200 e3	M70Y203KB25T601	70 Y 20K 10% T601 BO50 e3
M63X205KB30T607	63 X 2M 10% T607 BO100 e3	M70Y204KB25	70 Y 200K 10% BO50 e3
M63X205KB40	63 X 2M 10% BO200 e3	M70Y205KB25	70 Y 2M 10% BO50 e3
M63X251KB40	63 X 250U 10% BO200 e3	M70Y250KB25	70 Y 25U 10% BO50 e3
M63X253KB40	63 X 25K 10% BO200 e3	M70Y253JB25	70 Y 25K 5% BO50 e3
M63X254KB40	63 X 250K 10% BO200 e3	M70Y253KB25	70 Y 25K 10% BO50 e3
M63X302KB40	63 X 3K 10% BO200 e3	M70Y500KB25	70 Y 50U 10% BO50 e3
M63X501KB40	63 X 500U 10% BO200 e3	M70Y501KB25	70 Y 500U 10% BO50 e3
M63X502KB30T607	63 X 5K 10% T607 BO100 e3	M70Y502KB25	70 Y 5K 10% BO50 e3
M63X502KB40	63 X 5K 10% BO200 e3	M70Y503KB25	70 Y 50K 10% BO50 e3
M63X502KB40T614	63 X 5K 10% T614 BO200 e3	M70Y504KB25	70 Y 500K 10% BO50 e3