



Product Change Notification

Date Issued :	June 10, 2022	PCN Number :	512202
Reason for Change :	Capacity change or tool replacement		
Description of Change :	This notice is to inform you that Molex Lincoln Nebraska is adding additional tooling that will affect the product listed. New tooling will be exact replica of current tooling. There will be no change to the product Fit, Form, Function or Appearance when compared to current tooling.		
Reason for Short Notice :	Capacity Increase		
Assessment of Change :	First Article Inspection		
Planned Implementation Date :	September 09, 2022		
Sample Availability Date:	August 24, 2022		
Internal Molex Qualification Date :	August 10, 2022		
Last date to request Samples by Customer :	September 02, 2022		
Traceability Code Markings / Date :	Product made after planned implementation date can contain the change		

Before Picture

- **5569 Series**
 - Mini-Fit Jr. Right Angle Header Housing

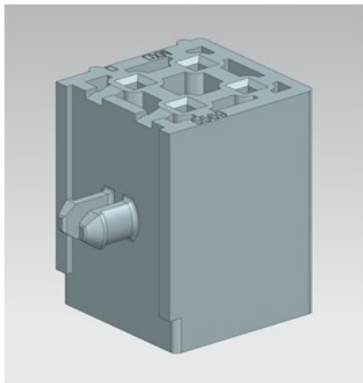


Photo is used as representation of product only.
Mini-Fit Jr. Right Angle Header Housing may come in different circuit sizes and colors.

After Picture

Overview

- To ensure business continuity, another set of tooling is being added
 - New tooling will be an exact replica of current tooling
 - Tooling being added to keep up with current and future demand
- There is NO impact to Fit, Form or Function
- Samples available upon request after date shown above
- Part Numbers Impacted
 - See attached list

RELEASED

You may address inquiries regarding this PCN by clicking on the below link
mailto:pcn_coordinator@molex.com?subject=PCN_Notification:512202
or contact your Local Sales Engineer.

Note: While responding, please retain " PCN Notification : **PCN Notification: 512202** " in the e-mail Subject line for faster response.

[Molex, LLC](#)
2222 Wellington Court
Lisle, IL 60532
TEL (800) 786-6539
www.molex.com