

StB-Reel2310

Designation : Straight 4 mm Banana (male) Plug to two 4 mm Banana (female) Jacks (sockets) Portable Manual Reel.

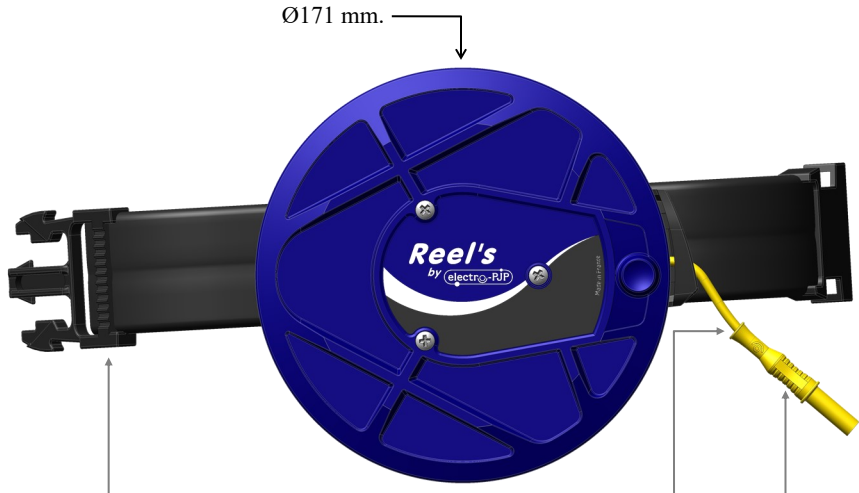
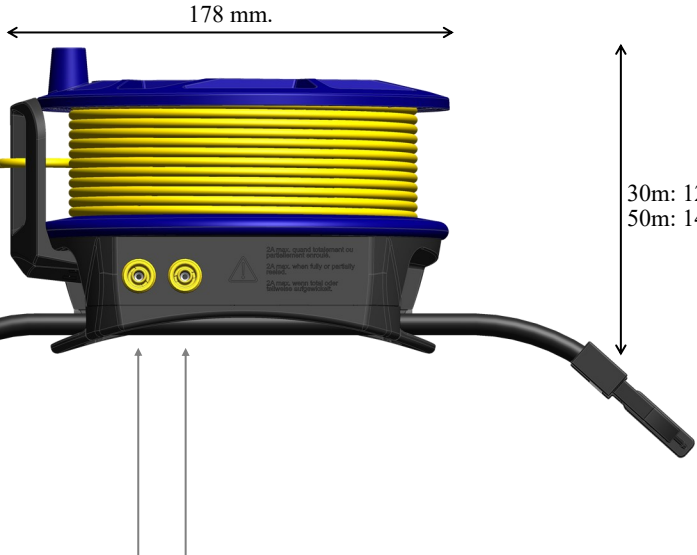
No accessible metal part to prevent from

A recovery 4 mm banana plug can be carried into the 67 mm x 60 mm x 16 mm

The wire is replaceable on the field just by removing the front flange with a screwdriver then



The wire-guide eases the unreeling of the wire.



Insulating gray tip on the 4 mm banana male connection to prevent accidental contact.

The design and the material of the lantern contact spring meet the need of low resistance and reliability.

The 4 mm banana female connections are connected together and comply with the 4 mm banana plugs of most of the worldwide most famous manufacturers and meet the requirements of interchangeability dimensions of the French standard NF C 93-440:1986.

Double PVC jacket wire to offer a wire wear indicator. Cross section 0.75 mm². Length 30 meters or 50 meters.

European Union marking. The lead complies with the European LVD by meeting the harmonized standard EN / IEC 61010-031:2008.

Adjustable belt. Size from 90 cm up to 150 cm.

Electro-PJP's marking. (French design and manufacturing.)

The wire attachments comply with heavy duty.

Voltage protection markings.

StB-Reel2310

Designation : Straight 4 mm Banana (male) Plug to two 4 mm Banana (female) Jacks (sockets) Portable Manual Reel.

Electrical protection

1000 V CAT II
1000 V CAT III

According to EN / IEC 61010-031:2008 : 1000 V CAT II / 1000 V CAT III / 600 V CAT IV, reinforced insulation, up to 12A when fully unreeled, else 2 A. According to EN / IEC 60529 : IP2X (touchproof).

These specifications come from the creepage distances, clearances, accessible parts, and solid insulation of the lead. And the considered specifications of the environment are :

- pollution degree, 1 or 2 ;
- relative humidity, 80 % maximum for temperatures up to 31 °C decreasing linearly to 50 % relative humidity at +40 °C ;
- temperature range, 0 °C to +40 °C ;
- indoor use ; and
- altitude, 2000 m maximum.

Operating temperature range

-20 °C mini., +80 °C maxi. (please see above too).

Protection against fire

According to EN / IEC 61010-031:2008. It is compatible with the requirements of protection against the spread of fire and resistance to heat by its basic insulation.

Conformity

- European Directive "Low Voltage Directive" 2006/95/EC.
- International / European standard EN / IEC 61010-031:2008.
- International / European standard EN / IEC 60529.
- European REACH regulation n°1907 / 2006.
- European Directive "RoHS" 2011/65/EU.
- French standard NF C 93-440:1986.

Environment

- "RoHS" compliant, Pb ≤ 4 % in conductor, Pb ≤ 0.1 % in insulator, Hg ≤ 0.1 %, Cr VI ≤ 0.1 %, Cd ≤ 0.01 %, PBB ≤ 0.1 %, and PBDE ≤ 0.1 %.
- REACH compliant, no substances from the candidate list of SVHC for authorisation at mass concentrations greater than 0.1 %.

Materials

Conductors : nickel-coated brass. Wire jackets : PVC
Insulators and lantern contact spring, please contact us.

Colors

Plug, wire, sockets.

Length

30 meters or 50 meters

Origin

Designed and manufactured in France.

Reliability benchmark

Year of 1st placing on the market 2015.

GLOSSARY :

ACCESSIBLE. Able to be touched with a standard test finger or test pin.

BASIC INSULATION. Insulation of hazardous live parts which provides basic protection.

CAT II. Measurement or overvoltage category II. For measurement performed on / equipment connected to the building wiring.

CAT III. Measurement or overvoltage category III. For measurement performed on / equipment connected to part of a building wiring installation.

CAT IV. Measurement or overvoltage category IV. For measurement performed on / equipment connected to the origin of the electrical supply to a building.

CLEARANCE. Shortest distance in air between two conductive parts.

CREEPAGE DISTANCE. Shortest distance along the surface of a solid insulating material between two conductive parts.

DOUBLE INSULATION. Insulation comprising both BASIC INSULATION and SUPPLEMENTARY INSULATION.

EN / IEC 60529:2001. The 2001 version of the European / international standard regarding the degrees of protection provided by enclosures.

EN / IEC 61010-031:2008. The latest version (in February 2012) of the European / international standard regarding the safety requirements for electrical equipment for measurement, control and laboratory use – Part 031: Safety requirements for hand-held probe assemblies for electrical measurement and test. Version year 2008.

IP2X. Solid protection to prevent finger touch according to the European / international standard EN / IEC 60529.

"LVD". European Directive 2006/95/EC on the harmonisation of the laws of Member States relating to electrical equipment designed for use within certain voltage limits. (Usually called the Low Voltage Directive.)

NF C 93-440:1986. French standard regarding one pole plugs, sockets and safety assemblies diameter 4 mm and specially the interchangeability dimensions of plugs and sockets.

OVERVOLTAGE CATEGORY. Numeral defining a TRANSIENT OVERVOLTAGE condition.

POLLUTION. Addition of foreign matter, solid, liquid or gaseous (ionized gases), that may produce a reduction of dielectric strength or surface resistivity.

POLLUTION DEGREE. Numeral indicating the level of POLLUTION that may be present in the environment.

POLLUTION DEGREE 1. No POLLUTION or only dry, non-conductive POLLUTION occurs, which has no influence.

POLLUTION DEGREE 2. Only non-conductive POLLUTION occurs except that occasionally a temporary conductivity caused by condensation is expected.

POLLUTION DEGREE 3. Conductive POLLUTION occurs, or dry, non-conductive pollution occurs which becomes conductive due to condensation which is expected.

REINFORCED INSULATION. Insulation which provides protection against electric shock not less than that provided by DOUBLE INSULATION.

"RoHS". European Directive 2002/95/EC on the restriction of the use of certain hazardous substances in electrical and electronic equipment.

SOLID INSULATION. Insulating materials.

SUPPLEMENTARY INSULATION. Independent insulation applied in addition to BASIC INSULATION in order to provide protection against electric shock in the event of a failure of BASIC INSULATION.

TRANSIENT OVERVOLTAGE. Short duration overvoltage of a few milliseconds or less, oscillatory or non-oscillatory, usually highly damped.

Contact us at :

sales@electro-pjp.com

+33(0) 384 821 330

ELECTRO-PJP
ZI "LES CHARMES D'AMONT"
13 RUE DE MADRID
39500 TAVAUUX
FRANCE