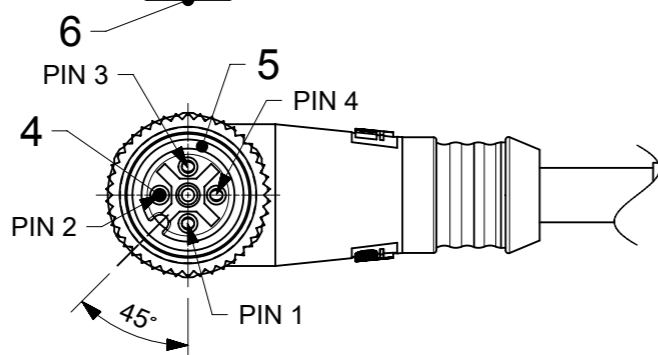
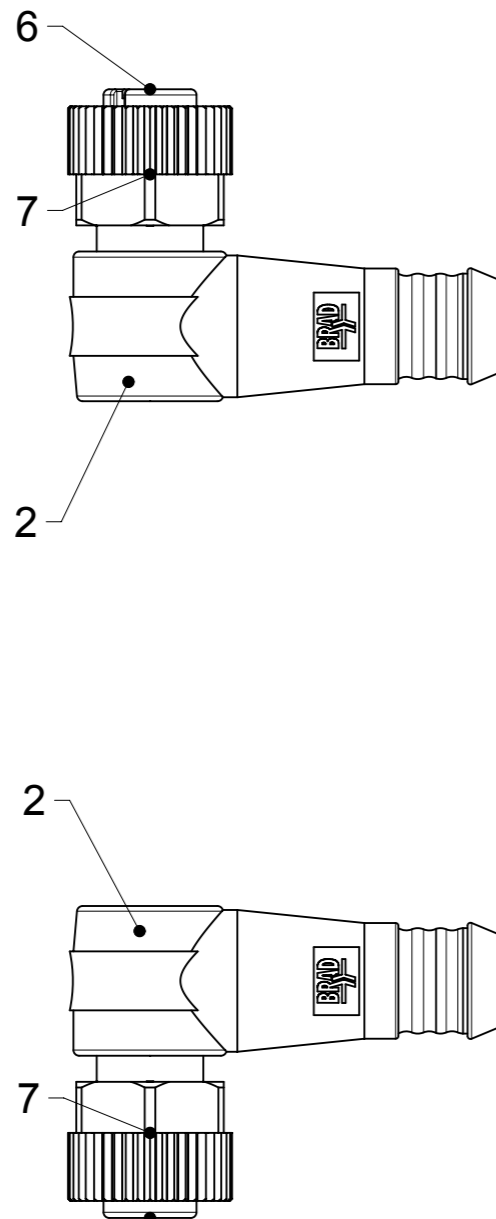


VIEW FROM THE FRONT SIDE



VIEW FROM THE FRONT SIDE

WIRING DIAGRAM

POZYCJA B
FEMALE M12
CABLE B

2 — N/U

B 4

- 3

+ 1

A 4

- 3

+ 1

2 — N/U

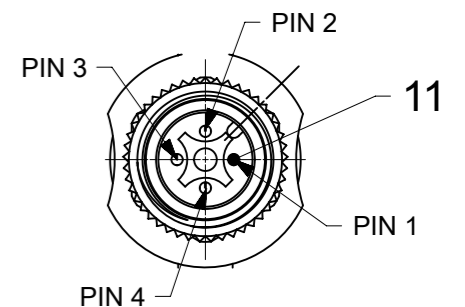
POZYCJA C
ILS MALE M12

BK — 2 CABLE B

BU — 3

BK — 4 CABLE A

BN — 1



VIEW FROM THE FRONT SIDE

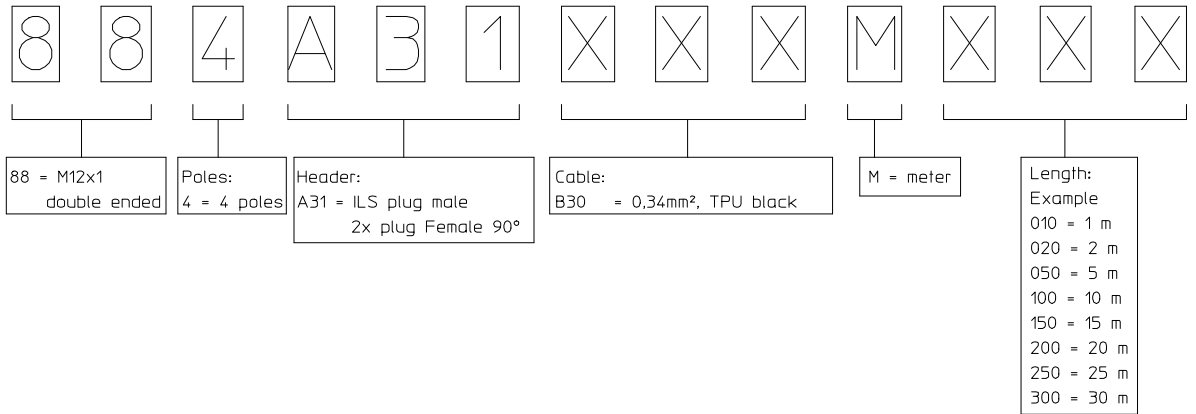
NOTES:
TEMPERATURE RANGE SEE TABLE ON SHEET 2
CONTACT CURRENT RATING 4A
VOLTAGE RATING 250V
PROTECTION CLASS IP67

SYMBOLS	THIS DRAWING CONTAINS INFORMATION THAT IS PROPRIETARY TO MOLEX ELECTRONIC TECHNOLOGIES, LLC AND SHOULD NOT BE USED WITHOUT WRITTEN PERMISSION		CURRENT REV DESC:		molex			
	DIMENSION UNITS	SCALE						
▽ = 0	mm	1:1			ILS M12 M12 4P AC MA TPU 4P AC FE RA XM DE			
▽ = 0	GENERAL TOLERANCES (UNLESS SPECIFIED)							
▽ = 0	ANGULAR TOL ± °				PRODUCT CUSTOMER DRAWING			
▽ = 0	4 PLACES ±							
▽ = 0	3 PLACES ±			DOCUMENT NUMBER	DOC TYPE			
▽ = 0	2 PLACES ±					SD-120068-001	PSD	
▽ = 0	1 PLACE ±			DOC PART	REVISION			
▽ = 0	0 PLACES ±					001	B1	
☒ = 0	DRAFT WHERE APPLICABLE MUST REMAIN WITHIN DIMENSIONS		THIRD ANGLE PROJECTION	DRAWING	SERIES			MATERIAL NUMBER
▽ = 0				A3-SIZE	120068	SEE PART LIST	GENERAL MARKET	1 OF 2

PART LIST

MOLEX PN	ENGINEERING No.	CABLE LENGTH "L" IN M
1200688189	884A31B30M006	0.6M
1200688190	884A31B30M010	1M
1200688191	884A31B30M020	2M
1200688192	884A31B30M050	5M

NUMERICAL CODE (Available parts see PART LIST table. If others on request.)



CABLE SPECIFICATION

CABLE TYPE	WIRE GAUGE	CABLE JACKET	UL	CSA	Temp. range static Bending radius static	Temp. range dynamic Bending radius dynamic	drag chain tested	other information
B30 3P	0.34mm ²	TPU black	STYLE 21215	yes	-40°C to +90°C 5xD	-25°C to +80°C 7.5xD	5 mio cycles	WELD SLAG RESISTANCE

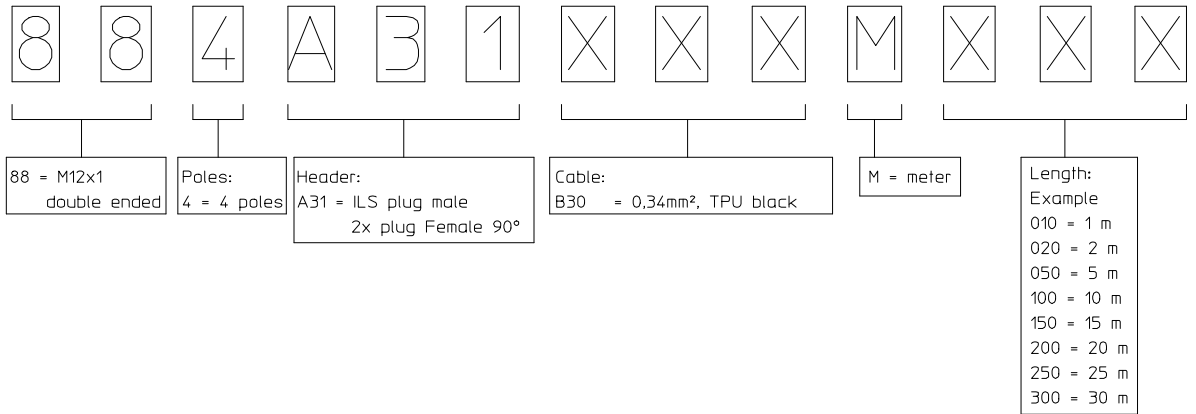
For Raw Cable Specification see SD-120209-001

Changed over mold color YE->BK EC NO: IPG2015-2069 DRWN: JMARSZALEK 2015/06/03 CHKD: APAMIAK01 2015/06/03 APPR: MIWASIECZKO 2015/06/03	QUALITY SYMBOLS	GENERAL TOLERANCES (UNLESS SPECIFIED)	DIMENSION STYLE MM ONLY	SCALE -	DESIGN UNITS METRIC	THIRD ANGLE PROJECTION																													
	▽=0 ◻=0	<table border="1"> <thead> <tr> <th></th> <th>mm</th> <th>INCH</th> </tr> </thead> <tbody> <tr> <td>4 PLACES</td> <td>± ---</td> <td>± ---</td> </tr> <tr> <td>3 PLACES</td> <td>± ---</td> <td>± ---</td> </tr> <tr> <td>2 PLACES</td> <td>± ---</td> <td>± ---</td> </tr> <tr> <td>1 PLACE</td> <td>± ---</td> <td>± ---</td> </tr> <tr> <td>0 PLACE</td> <td>± ---</td> <td>± ---</td> </tr> </tbody> </table>		mm	INCH	4 PLACES	± ---	± ---	3 PLACES	± ---	± ---	2 PLACES	± ---	± ---	1 PLACE	± ---	± ---	0 PLACE	± ---	± ---	<table border="1"> <thead> <tr> <th>DRAWN BY</th> <th>DATE</th> </tr> </thead> <tbody> <tr> <td>JMARSZALEK</td> <td>2014/11/15</td> </tr> <tr> <th>CHECKED BY</th> <th>DATE</th> </tr> <tr> <td>FGAIK</td> <td>2014/11/15</td> </tr> <tr> <th>APPROVED BY</th> <th>DATE</th> </tr> <tr> <td>MIWASIECZKO</td> <td>2015/06/03</td> </tr> </tbody> </table>	DRAWN BY	DATE	JMARSZALEK	2014/11/15	CHECKED BY	DATE	FGAIK	2014/11/15	APPROVED BY	DATE	MIWASIECZKO	2015/06/03	TITLE	molex ILS M12 M12 4P AC MA TPU 4P AC FE RA XM DE
		mm	INCH																																
	4 PLACES	± ---	± ---																																
	3 PLACES	± ---	± ---																																
2 PLACES	± ---	± ---																																	
1 PLACE	± ---	± ---																																	
0 PLACE	± ---	± ---																																	
DRAWN BY	DATE																																		
JMARSZALEK	2014/11/15																																		
CHECKED BY	DATE																																		
FGAIK	2014/11/15																																		
APPROVED BY	DATE																																		
MIWASIECZKO	2015/06/03																																		
DESCRIPTION	ANGULAR ± --- °	MATERIAL NO.	DOCUMENT NO.	SHEET NO.																															
REV	DRAFT WHERE APPLICABLE MUST REMAIN WITHIN DIMENSIONS	SIZE A3	SEE PART LIST	SD-120068-001	2 OF 2																														
		THIS DRAWING CONTAINS INFORMATION THAT IS PROPRIETARY TO MOLEX INCORPORATED AND SHOULD NOT BE USED WITHOUT WRITTEN PERMISSION																																	

PART LIST

MOLEX PN	ENGINEERING No.	CABLE LENGTH "L" IN M
1200688189	884A31B30M006	0.6M
1200688190	884A31B30M010	1M
1200688191	884A31B30M020	2M
1200688192	884A31B30M050	5M

NUMERICAL CODE (Available parts see PART LIST table. If others on request.)



CABLE SPECIFICATION

CABLE TYPE	WIRE GAUGE	CABLE JACKET	UL	CSA	Temp. range static Bending radius static	Temp. range dynamic Bending radius dynamic	drag chain tested	other information
B30 3P	0.34mm ²	TPU black	STYLE 21215	yes	-40°C to +90°C 5xD	-25°C to +80°C 7.5xD	5 mio cycles	WELD SLAG RESISTANCE

For Raw Cable Specification see SD-120209-001

Changed over mold color YE->BK EC NO: IPG2015-2069 DRWN: JMARSZALEK 2015/06/03 CHKD: APAMIAK01 2015/06/03 APPR: MIWASIECZKO 2015/06/03	QUALITY SYMBOLS	GENERAL TOLERANCES (UNLESS SPECIFIED)	DIMENSION STYLE MM ONLY	SCALE -	DESIGN UNITS METRIC	THIRD ANGLE PROJECTION	
	▽=0 ◻=0	mm INCH 4 PLACES ± --- ± --- 3 PLACES ± --- ± --- 2 PLACES ± --- ± --- 1 PLACE ± --- ± --- 0 PLACE ± --- ± ---	DRAWN BY: JMARSZALEK DATE: 2014/11/15 CHECKED BY: FGAIK DATE: 2014/11/15 APPROVED BY: MIWASIECZKO DATE: 2015/06/03	TITLE	ILS M12 M12 4P AC MA TPU 4P AC FE RA XM DE		
	ANGULAR ± --- ° DRAFT WHERE APPLICABLE MUST REMAIN WITHIN DIMENSIONS	SEE PART LIST	MATERIAL NO.	DOCUMENT NO.	molex SD-120068-001		SHEET NO. 2 OF 2
					THIS DRAWING CONTAINS INFORMATION THAT IS PROPRIETARY TO MOLEX INCORPORATED AND SHOULD NOT BE USED WITHOUT WRITTEN PERMISSION		